

# Pressure Sensor - EPT2100



Eurosensor

- Long life and high performance
- Light weight stainless steel design
- Low cost pressure measuring

The newly designed **EPT2100** is an ideal pressure transducer for various cost sensitive applications.

The silicon measuring cells used within this design coupled with the high level output circuitry, assures excellent accuracy and long term stability within a light weight design.

The silicon sensing element is compatible with many medias, including oil, compressed air and dry non aggressive gases and is suitable for applications with measuring ranges from **250 mbar to 40 bar**.



## Specification

Performance		Shock	
<b>Accuracy @ RT</b>	% of the range < 1.00 (< 0.5 optional) BFSL ≤ 0.25	(incl. nonlinearity, hysteresis, repeatability, zero-offset and final offset acc. to IEC 61298-2)	1000 G, 11 msec., 1/2 Sine
<b>Non-linearity</b>	% of the range ≤ 0.15		
<b>Repeatability</b>	% of the range ≤ 0.10		
<b>Stability/year</b>	% of the range ≤ 0.10		
<b>Overrange pressure</b>	up to 2x rated pressure / max 69bar		
<b>Burst pressure</b>	up to 5x rated pressure / max 103bar		
<b>Pressure cycles</b>	> 10 million		
Environment		Electronics	
<b>Temperature [°C]:</b>	-40...125		
<b>Measuring medium</b>	-40...105 (85 for 4..20mA output)		
<b>Ambience</b>	-40...105		
<b>Storage</b>	-20...85		
<b>Compensated range</b>	Temperature coefficient within the compensated range:		
<b>Mean TC offset</b>	% of the range ≤ 0,15 / 10K		
<b>Mean TC range</b>	% of the range ≤ 0,15 / 10K		
<b>Vibration</b>	16 G peak, 20 to 2000 Hz		
<b>Sealing</b>	IP 66		
<b>Excitation</b>	5 VDC for 0.5 - 4.5 V output, 10 - 32 VDC for 0 - 5 V, 1 - 5 V, 4..20 mA output 12 - 32 VDC for 0 - 10V output		
<b>Current consumption</b>	< 7.5 mA		
<b>Short circuit protection</b>	Yes		
<b>Reverse voltage protection</b>	Yes		
Mechanics		Mechanics	
<b>Housing</b>	304 stainless steel		
<b>Wetted parts</b>	Silicon, Aluminium, Silicone adhesive, Stainless Steel 304, NBR O-Ring seal		
<b>Pressure port</b>	see select table		
<b>Electrical connection</b>	see select table		
<b>Weight</b>	ca. 25 g		

## Ordering Information

(Please use the characters in the chart below to construct your product code)

**Sample Code: EPT2100 - H - 01000 - B - 5 - A**

Series	Port Configuration	Pressure Range	Pressure Unit	Output Signal *	Electrical Interface							
EPT 2100	B - 1/4 NPT G - 1/4"SAE Female 1/16" UNF Female incl. Schrader valve opener H - 3/8 x 24 UNF Male (Dash Size 3) J - M10x1,25 Female M10 - M10x1 Male	Please use code from table below	B - relative / gauge A - absolute	1 = 0..10 V 2 = 4..20 mA 3 = 1..5 V 4 = 0..5 V 5 = 0.5..4.5 V ratiometric	A - 600 mm cable C - Connector - Packard Metripac							
Pressure Range												
<b>Bar</b>	0.25	0.6	1.0	1.6	2.5	4	6	10	16	25	35	40
<b>Order Code</b>	00025	00060	00100	00160	00250	00400	00600	01000	01600	02500	03500	04000

Notes:

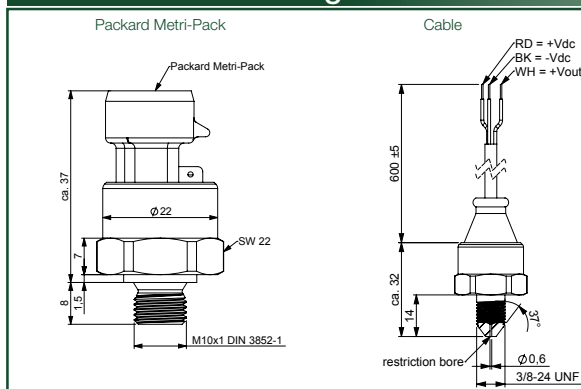
\* Not all configurations are possible, please contact our sales team to verify your configuration

Custom options available on request

The EPT2100 series are backed by a 1 Year Warranty. The purchaser is responsible for compatibility of the media, functional adequacy and correct installation of the transmitter.

The following models are typically available from stock: **EPT2100-H-01000-B-5-A**  
**EPT2100-H-01600-B-5-A**

## Dimensions and wiring



### Connection colour codes

Type	Output	PIN A	PIN B	PIN C
Packard	0.5 - 4.5V 1 - 5 V 0 - 10 V	- Supply	+ Supply	Output +
	4..20mA	Current output -	+ Supply	N/A
Cable	0.5 - 4.5V 1 - 5 V 0 - 10 V	Red	Black	White
	4..20mA	+ Supply	Current output -	N/A

## PITCH TECHNOLOGIES

Votre distributeur agréé VARIOHM en France

01 34 85 54 68

<https://pitch-technologies.fr>  
info@pitch-technologies.fr



Variohm EuroSensor - Williams' Barn - Tiffeld Road - Towcester - Northants - NN12 6HP - UK  
sales@variohm.com • www.variohm.com • +44 (0) 1327 351004

Subject to change without notice