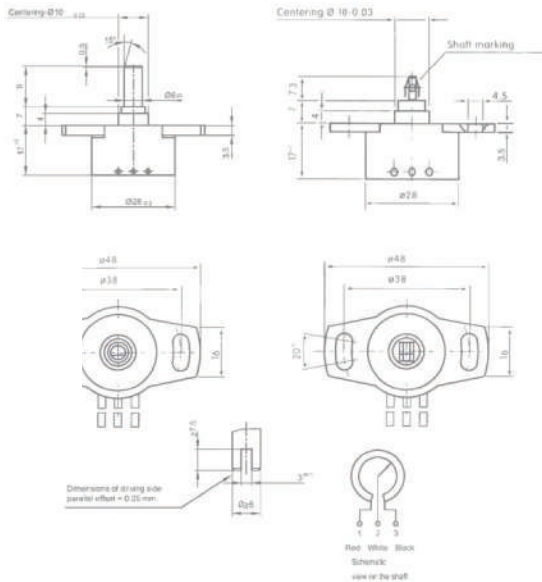


- Simple mounting
- Outstanding repeatability
- Excellent linearity
- Long life
- Sealed to IP67
- Wide temperature range
- Elastomer damped wipers
- Plastic or aluminium housing options



The 28 mm diameter SP2800 series angle sensor features long life conductive plastic technology that is ideal for arduous autosports position feedback applications including sequential gearbox, steering angle, throttle and suspension measurement. Available in durable temperature resistant plastic or aluminium housings, this IP67 rated sensor has an operating temperature range of -40 to +150 °C.

## Dimensions

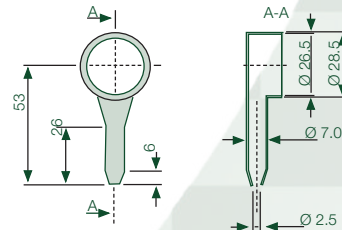


### Strain relieving boots, sleeving & connectors

Variohm are able to offer a complete harnessing service, whether you require alternative cable lengths, additional sleeving or customer specified connector, or boot



### VITON Boot



## General specifications

Life expectancy	50 million cycles
Operational speed	120 rpm
Environmental sealing	IP67
Temperature range	-40 to +150 °C
Cable type	Raychem 55. 22 AWG
Cable length	1000 mm
Repeatability	With 6 mm shaft < 0.03° With Push-on coupling < 0.06°
Max. supply voltage	42 VDC

### PITCH TECHNOLOGIES

Votre contact VARIOHM en France

☎ 01 34 85 54 68

🌐 <https://pitch-technologies.fr>

✉ [info@pitch-technologies.fr](mailto:info@pitch-technologies.fr)

# SP2800 - Angle Sensor



## Specifications & part numbers


Part Number	Electrical Angle +/- 2°	Linearity %	Housing material	Shaft type	Nominal resistance kΩ +/- 20%
SP2836 100 002 101	100	1	Duraplast	6 mm	3
SP2836 308 000 101	308	0.3	Duraplast	6 mm	5
SP2836 345 065 101 (upon request)	345	0.3	Duraplast	6 mm	5
SP2836 130 069 101 (upon request)	130	0.5	Duraplast	6 mm	3
SP2846 100 002 101 (upon request)	100	1	Duraplast	Push-on	3
SP2846 100 054 101	100	0.5	Duraplast	Push-on	3
SP2846 100 067 102	2 x 100	1	Duraplast	Push-on	2 x 3
SP2846 130 050 101	130	1	Duraplast	Push-on	3
SP2846 345 065 101	345	0.3	Duraplast	Push-on	5
SP2846 130 069 101 (upon request)	130	0.5	Duraplast	Push-on	3
SP2846 308 000 101	308	0.3	Duraplast	Push-on	5
SP2846 350 082 101 (upon request)	350	0.3	Duraplast	Push-on	5
SP2890 100 002 101 (upon request)	100	1	Aluminum	Push-on	3
SP2890 100 054 101 (upon request)	100	0.5	Aluminum	Push-on	3
SP2890 130-050-101 (upon request)	130	1	Aluminum	Push-on	3
SP2890 130 069-101 (upon request)	130	0.5	Aluminum	Push-on	3
SP2890 345 065 101 (upon request)	345	0.3	Aluminum	Push-on	5
SP2891 s 0069** (upon request)	130	0.5	Aluminum	Push-on	3
SP2891 s 0065** (upon request)	345	0.3	Aluminum	Push-on	5


\*\* Improved sealing

### PITCH TECHNOLOGIES

Votre contact VARIOHM en France

+ 01 34 85 54 68

 <https://pitch-technologies.fr>

 [info@pitch-technologies.fr](mailto:info@pitch-technologies.fr)



Variohm EuroSensor - Williams' Barn - Tiffield Road - Towcester - Northants - NN12 6HP - UK  
sales@variohm.com • www.variohm.com • +44 (0) 1327 351004

Subject to change without notice