



- ▶ **Hex Bolt Sensor**
- ▶ **Temperature range -40 to +250° C**
- ▶ **Miniature design with M8 hexagonal bolt**
- ▶ **PT100 and PT1000 available**
- ▶ **Custom designs available**
- ▶ **Versatile temperature probe with screw body**

Applications

Heating/Cooling systems
HVAC

Energy
Industrial process

Laboratory
Drilling

Features

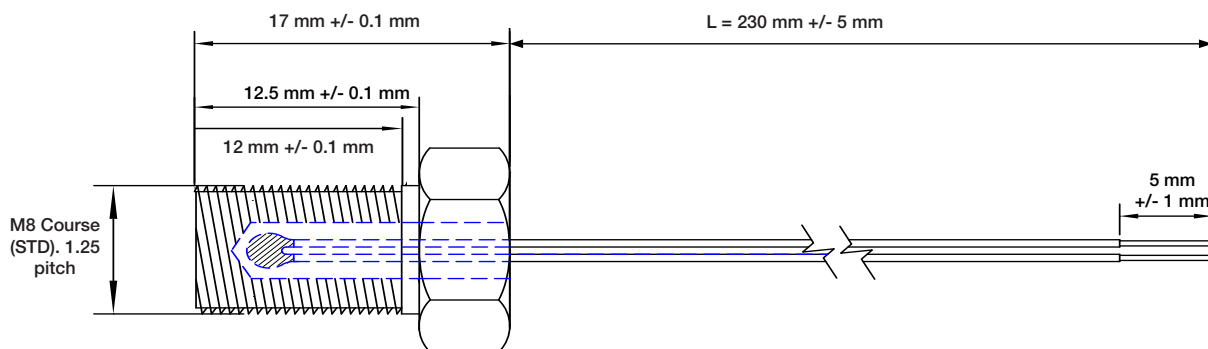
Cost effective - off the shelf model

Stock model - reduced lead times

Improved potting epoxy has outstanding thermal conductivity for faster response times

Specifications		
	Unit	Value
Sensing element		PT100 class B
Accuracy	°C	± (0,3 K + 0,005 x t)
Operating temperature	°C	-40 to +250
Epoxy thermal conductivity	W/(m.K)	1.7
Recommended applied current (self heating must be considered)	1 mA at 100 Ω 0.3 mA at 1000 Ω	
Materials		
Leads and insulation	PFA sheathed twisted pair 7/0.2 with PTFE heat shrink	
Probe material	Stainless steel	

Dimensions in mm



ETP-SP-PT TEMPERATURE SENSOR



Ordering information

(Please use the characters in the chart below to construct your product code)

Example Code 93166 - ETP - SP - 8 - 23 - PT100B

Probe Size

4	M4
5	M5
6	M6
8	M8
x	optional stud size

Probe cable length

5	50
10	100
15	150
20	200
23	230
25	250
30	300
35	350
40	400
45	450
x	Custom length

Thermistor Type

PT100B	PT100B class B
PT100A	PT100A class A
PT1000B	PT1000B class B
PT1000A	PT1000A class A

Stock model number

93166-ETP-SP-8-23-PT100B

94847-ETP-SP-8-100-PT100B

If you require a customized solution for your program contact our sales team.

PITCH TECHNOLOGIES

Votre contact VARIOHM en France | 01 34 85 54 68 | <https://pitch-technologies.fr> | info@pitch-technologies.fr

ETP-SP-PT Temperature sensor 07/24