

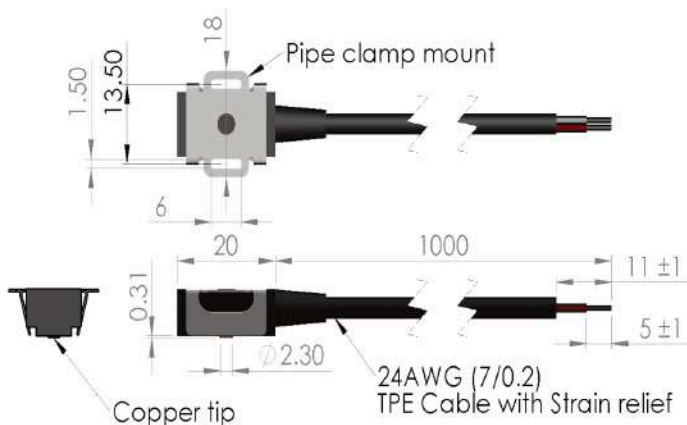
The ETP-PC-100-G10K3435A1 temperature probe has been designed as a flexible measurement solution for pipe clamp applications. The probe is well suited to applications where a compact and flexible high-reliability pipe surface temperature measurement is required. The hermetically sealed glass NTC temperature sensing element is encapsulated in a copper housing and overmoulded to expose the contact

area. A metal clip with a stainless steel cable-tie allows the probe to be firmly secured.

The sensor is particularly suitable for demanding temperature monitoring applications on vehicles but with its fast response time and wide environmental temperature range, it is equally well-equipped for measurement of liquids and gases used in medical equipment, test machinery, industrial instrumentation and process control systems.

Specifications	
Element:	NTC G10K3435A1
Resistance at +25°C	10 kΩ
Tolerance from +25°C to +85°C	±1°C
Beta Value 25/85	3435K
Tolerance on Beta Value	±2%
Temperature range	-40°C to +125°C

**Wiring and Dimension**



**Order information**

Order - number: ETP\_PC-100-G10K3435A1 (93685)



**Resistance vs. temperature table for 10K3435A1**

Temp. °C	KΩ
-40	186
-39	176.4
-38	167.4
-37	158.8
-36	150.7
-35	143.1
-34	135.9
-33	129.1
-32	122.7
-31	116.6
-30	110.8
-29	105.4
-28	100.2
-27	95.37
-26	90.76
-25	86.39
-24	82.26
-23	78.35
-22	74.64
-21	71.12
-20	67.79
-19	64.63
-18	61.64
-17	58.79
-16	56.1
-15	53.53
-14	51.1
-13	48.8
-12	46.6
-11	44.52
-10	42.54
-9	40.66
-8	38.87
-7	37.17
-6	35.55
-5	34.01
-4	32.55
-3	31.15
-2	29.82
-1	28.56
0	27.35
1	26.2

Temp. °C	KΩ
2	25.11
3	24.07
4	23.07
5	22.13
6	21.22
7	20.36
8	19.53
9	18.75
10	18
11	17.28
12	16.6
13	15.94
14	15.32
15	14.72
16	14.15
17	13.6
18	13.08
19	12.58
20	12.1
21	11.64
22	11.21
23	10.79
24	10.38
25	10
26	9.631
27	9.278
28	8.94
29	8.615
30	8.304
31	8.006
32	7.72
33	7.445
34	7.182
35	6.929
36	6.687
37	6.454
38	6.23
39	6.015
40	5.809
41	5.611
42	5.42
43	5.237

Temp. °C	KΩ
44	5.061
45	4.891
46	4.729
47	4.572
48	4.421
49	4.276
50	4.137
51	4.003
52	3.873
53	3.749
54	3.629
55	3.513
56	3.402
57	3.295
58	3.192
59	3.092
60	2.996
61	2.903
62	2.814
63	2.728
64	2.645
65	2.565
66	2.487
67	2.413
68	2.341
69	2.271
70	2.204
71	2.139
72	2.076
73	2.016
74	1.957
75	1.901
76	1.846
77	1.794
78	1.743
79	1.693
80	1.645
81	1.599
82	1.555
83	1.511
84	1.47
85	1.429

Temp. °C	KΩ
86	1.39
87	1.352
88	1.315
89	1.28
90	1.245
91	1.212
92	1.18
93	1.149
94	1.118
95	1.089
96	1.06
97	1.033
98	1.006
99	0.9801
100	0.9549
101	0.9305
102	0.9069
103	0.8839
104	0.8616
105	0.84
106	0.819
107	0.7987
108	0.7789
109	0.7597
110	0.7411
111	0.723
112	0.7054
113	0.6883
114	0.6718
115	0.6556
116	0.64
117	0.6248
118	0.61
119	0.5956
120	0.5817
121	0.5681
122	0.5549
123	0.542
124	0.5295
125	0.5174