



- ▶ SMT Ring Terminal Probe
- ▶ Temperature range -40 to +250° C
- ▶ Available in a range of sizes
- ▶ PT100 and PT1000 available
- ▶ Custom designs available
- ▶ Higher temperature range available

Typical applications for these temperature sensors are

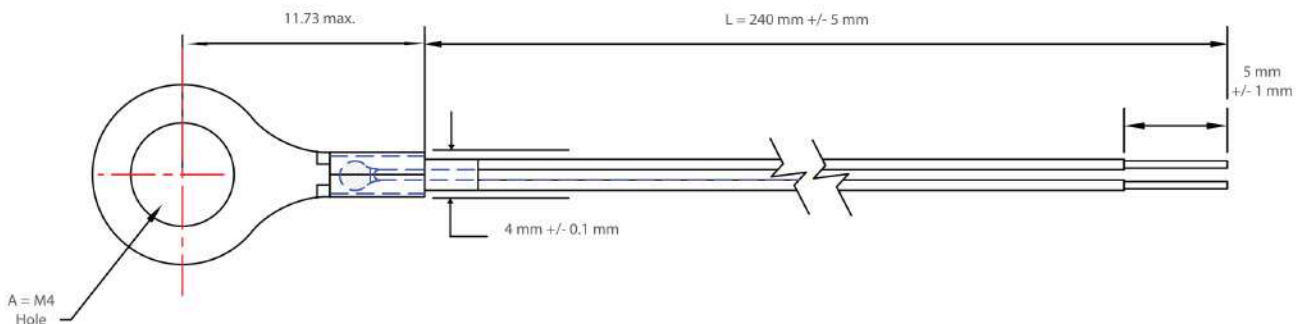
Industrial equipment Transit HVAC
 Power and utilities Computers Home appliances
 Calibration and instrumentation

Features

Cost effective - off the shelf model
 Stock model - reduced lead times
 Improved potting epoxy has outstanding thermal conductivity for faster response times

Specifications	
Sensing element	PT100 class B
Accuracy	$\pm (0,3 K + 0,005 \times t) \text{ } ^\circ\text{C}$
Operating temperature	-40 to +250° C
Epoxy thermal conductivity	1.7 W/(m.K)
Recommended applied current (self heating must be considered)	1 mA at 100 Ω 0.3 mA at 1000 Ω
Materials	
Leads and insulation	PTFE insulated leads 7 / 0.2 (24AWG)
Probe material	Tin plated copper

Reference dimensions





Ordering information

(Please use the characters in the chart below to construct your product code)

Sample Code 93167 - ETP - RT - 4 - 24 - PT100B

Probe Size	
4	M4
5	M5
6	M6
8	M8
x	optional stud size

Probe cable length	
5	50
10	100
15	150
20	200
23	230
25	250
30	300
35	350
40	400
45	450
x	Custom length

Thermistor Type	
PT100B	PT100B class B
PT100A	PT100A class A
PT1000B	PT1000B class B
PT1000A	PT1000A class A

Stock models:

- 93167-ETP-RT-4-24-PT100B
- 94425-ETP-RT-4-100-PT100B
- 93156-ETP-RT-4-24-PT1000A
- 94848-ETP-RT-4-100-PT1000A
- 94948-ETP-RT-4-15-PT1000A

If you require a customized solution for your program contact our sales team.