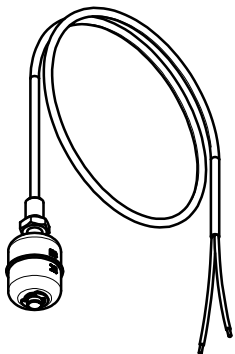


The operating mode may be reversed by removing the spherical float, inverting and then refitting it to the stem.



Model	CLR22
Weight	0,05 [kg]
Power supply	not powered
Signal	SPST / max. 1,5[A]-300[V]- 70[W]
IP grade	IP67
Housing and floating	AISI 316
Connection	G 1/8 (nut and gasket)
Cable	2x0.34 mm ² (AWG22) - L 600 mm
Ambient temperature	-10 < Ta < +70 [°C]
Process temperature	-10 < Tp < +70 [°C]
MAX pressure	+15 [bar]
Directives	2011/65/EU (RoHS) 2014/35/EU (LVD) 1935/2004/EU (Food compliance)

® CAMLogic
 Via dell'Industria 12
 42025 Cavriago (RE) - ITALY
 www.camlogic.it



DRAWING N.
 0602_0023_00

SHEET:
 1 OF 3

GENERAL TOL.: ISO 2768-mH

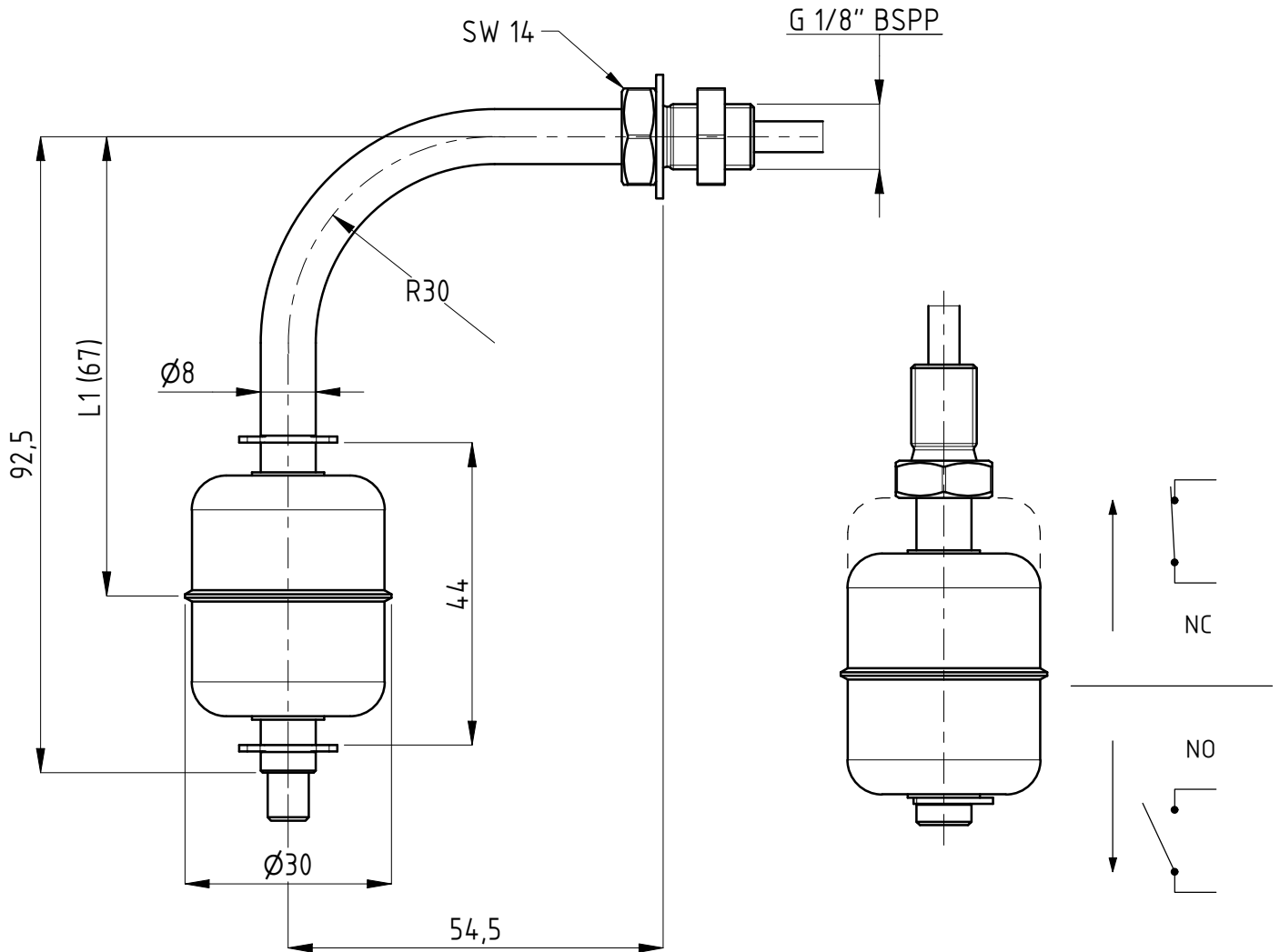
UNLESS OTHERWISE SPECIFIED
 DIMENSION ARE IN [mm]

DRAWING FROM CAD SYSTEM - REFER TO 3D MODEL FOR
 MISSING DIMENSION - NO MANUAL MODIFICATION ALLOWED

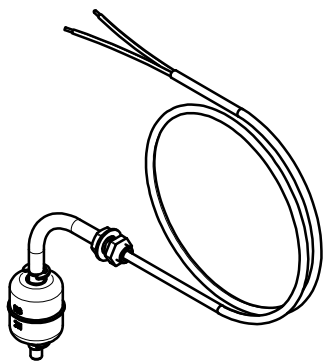
SCALE: 1:4

DRAWN
 DATE

SIZE UNIT: A4



The operating mode may be reversed by removing the spherical float, inverting and then refitting it to the stem.



Model	CLR22 C
Weight	0,05 [kg]
Power supply	not powered
Signal	SPST / max. 1,5[A]-300[V]- 70[W]
IP grade	IP67
Housing and floating	AISI 316
Connection	G 1/8 (nut and gasket)
Cable	2x0.34 mm ² (AWG22) - L 600 mm
Ambient temperature	-10 < Ta < +70 [°C]
Process temperature	-10 < Tp < +70 [°C]
MAX pressure	+15 [bar]
Directives	2011/65/EU (RoHS) 2014/35/EU (LVD) 1935/2004/EU (Food compliance)

© CAMLogic
Via dell'Industria 12
42025 Cavriago (RE) - ITALY
www.camlogic.it

CAMLogic®

DRAWING N.

0602_0023_00

SHEET:
2 OF 3

REV:

GENERAL TOL.: ISO 2768-mH

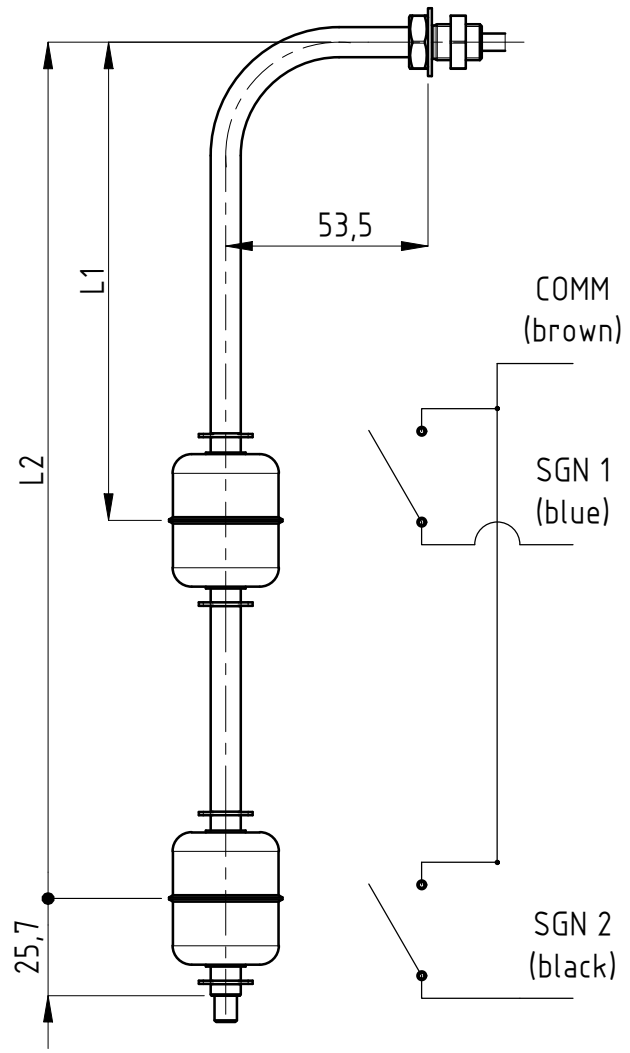
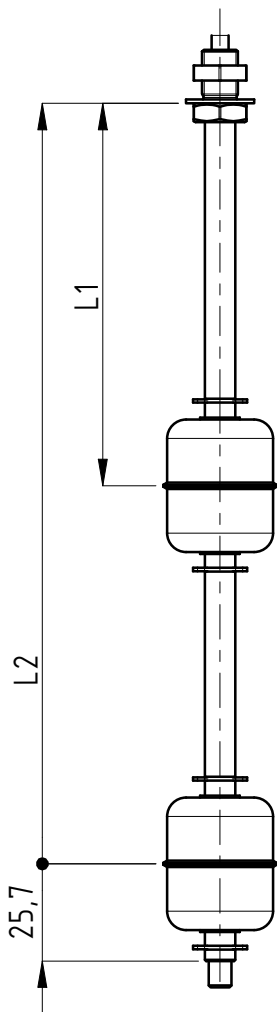
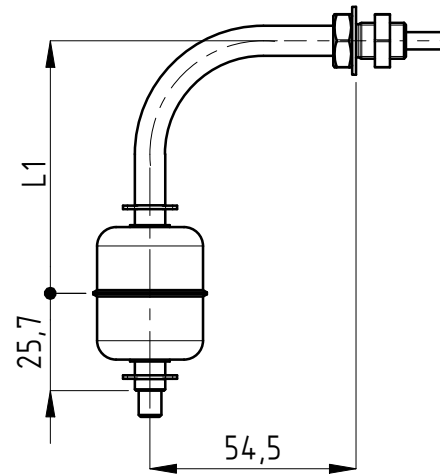
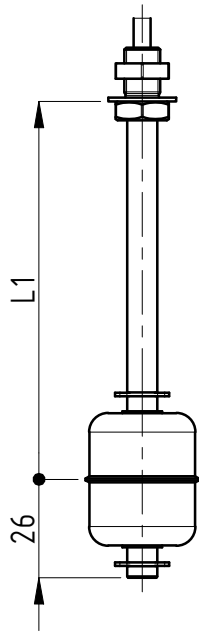
UNLESS OTHERWISE SPECIFIED
DIMENSION ARE IN [mm]

DRAWING FROM CAD SYSTEM - REFER TO 3D MODEL FOR
MISSING DIMENSION - NO MANUAL MODIFICATION ALLOWED

SCALE: 1:1

DRAWN
DATE

SIZE UNIT: A4



L MAX= 1500mm
L2>L1+45

® CAMLogic
Via dell'Industria 12
42025 Cavriago (RE) - ITALY
www.camlogic.it

CAMLogic®

DRAWING N.
0602_0023_00

SHEET:
3 OF 3

GENERAL TOL.: ISO 2768-mH

UNLESS OTHERWISE SPECIFIED
DIMENSION ARE IN [mm]

DRAWING FROM CAD SYSTEM - REFER TO 3D MODEL FOR
MISSING DIMENSION - NO MANUAL MODIFICATION ALLOWED

SCALE: **1 : 2**

DRAWN
DATE

SIZE UNI A4