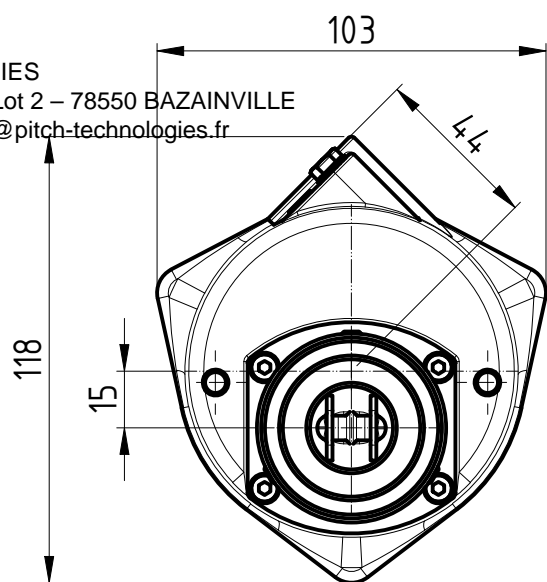


PITCH TECHNOLOGIES
66 avenue de Paris, Lot 2 – 78550 BAZAINVILLE
01 34 85 54 68 - info@pitch-technologies.fr

CONFIDENTIAL / PROPRIETARY
DO NOT DISTRIBUTE

© CAMLogic
- ALL RIGHTS RESERVED -

PITCH
TECHNOLOGIES



~ 15 to 260 V (AC)

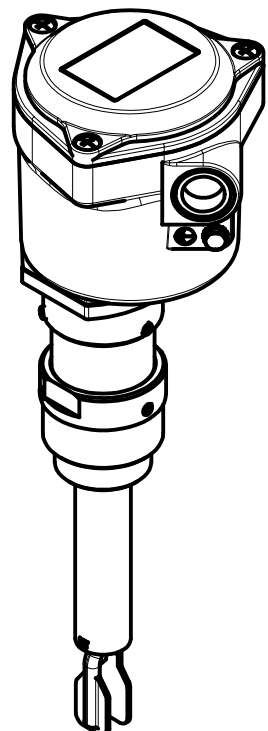
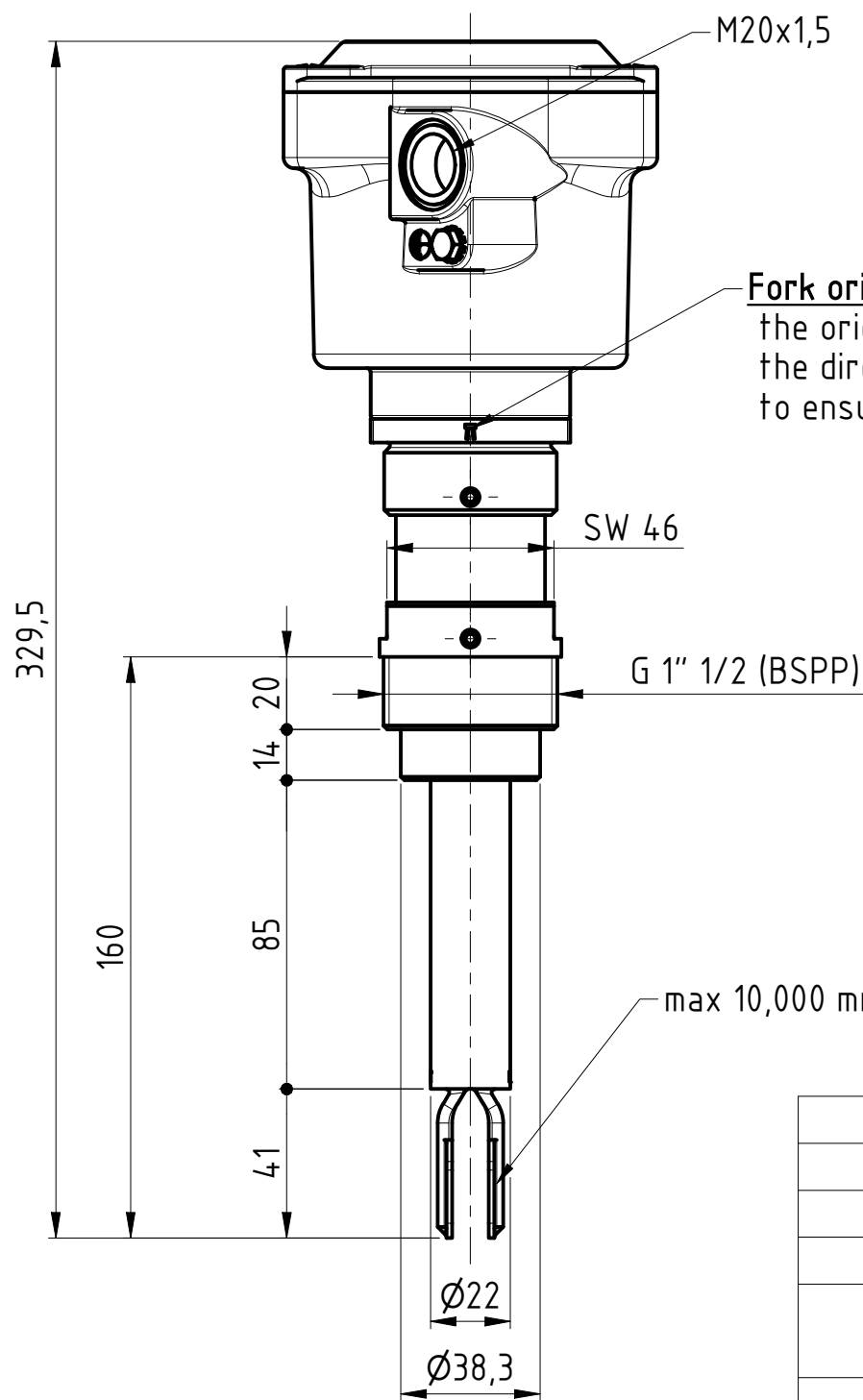
--- 15 to 80 V (DC)

MAX. 5A / 250V			MAX. 5A / 250V					
⊕	⊖	⊕	NO	COM	NC	NO	COM	NC
1	2	3	4	5	6	7	8	9
POWER SUPPLY			SIGNAL 1			SIGNAL 2		

Screw terminals (flat head)

0,05 - 2,5mm² (AWG30 - AWG12)

Fork orientation symbol: For lateral installations, the orientation of the fork tines must follow the direction of ascent or descent of the material to ensure correct detection.



Model	GVL30AT
Weight	1,4 Kg
Power supply	Universal power supply 15 to 80 VDC / 15 to 260 VAC
Signal	DPDT
Casing protection rating	IP65 (dust-tight, protection against water jets)
Wetted parts protection rating	IP68 (dust-tight, protected against the effect of continuous immersion in water)
Housing	Aluminium
Wetted parts	AISI316L
Connection	G 1" 1/2 AISI304
Ambient temperature	-20 < Ta < +70 [°C]
Process temperature	-20 < Tp < +200 [°C]
Pressure range	+0,8 ... +15 bar [abs]
Directives	2011/65/EU (RoHS) 2014/30/EU (EMC) 2014/35/EU (LVD)
ATEX Marking	II 3D Ex tc IIIB T200°C IP65 Dc
IECEX Marking	-

© CAMLogic
Via Dell'Industria 12
42025 Cavriago (RE) - ITALY
Web: www.camlogic.it

CAMLogic®

DRAWING NUMBER
0602_0045_00

DRAWN: Salati A. 07/01/2025

SCALE: 1 : 2

GENERAL TOL: ISO 2768-mH

FILE: GR17_0005_00-01.iam

DESCRIPTION
GVL30AT

REV: 01

SHEET: 1

DRAWING FROM CAD SYSTEM - REFER TO 3D MODEL FOR MISSING DIMENSION - NO MANUAL MODIFICATION ALLOWED

UNLESS OTHERWISE SPECIFIED - DIMENSIONS ARE IN mm -

SHEET NO: 1 OF 2

SIZE UNI A3

EXTENSIONS

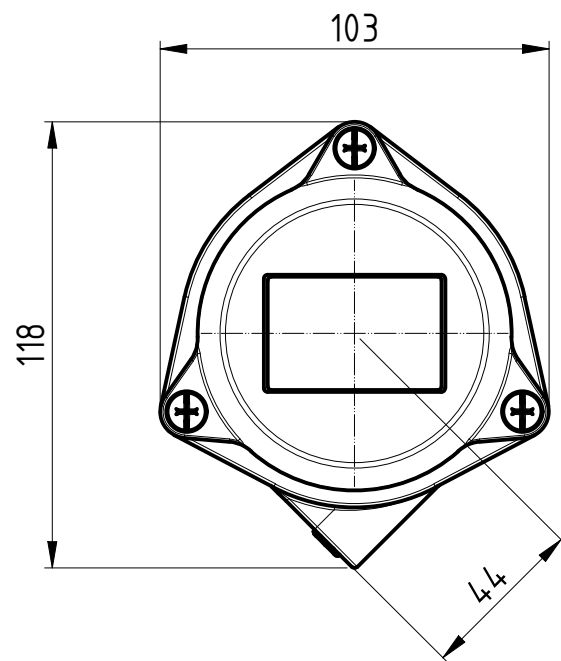
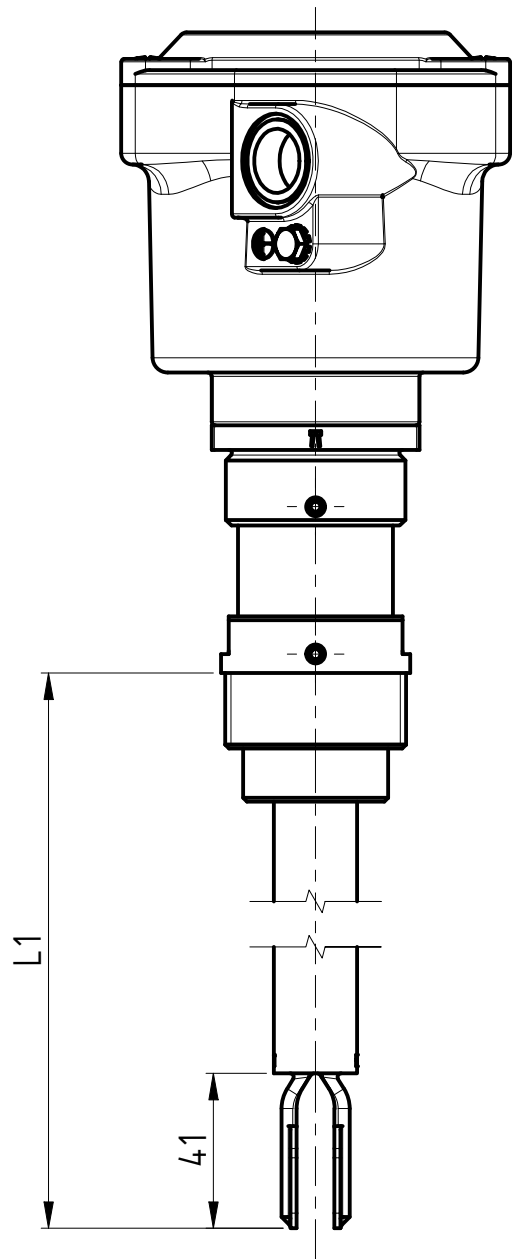
LENGHT
L1 (mm)

500

1000

2000

3000



**CONFIDENTIAL / PROPRIETARY
DO NOT DISTRIBUTE**

© CAMLogic
- ALL RIGHTS RESERVED -

© **CAMLogic**
Via Dell'Industria 12
42025 Cavriago (RE) - ITALY
Web: www.camlogic.it

SCALE: 1 : 2

GENERAL TOL: ISO 2768-mH

FILE: GR17_0005_00-01.iam

CAMLogic®

DRAWING NUMBER
0602_0045_00

DRAWN: Salati A. 07/01/2025

REV: 01

SHEET: 2

DESCRIPTION
GVL30AT

DRAWING FROM CAD SYSTEM - REFER TO 3D MODEL FOR MISSING DIMENSION - NO MANUAL MODIFICATION ALLOWED

UNLESS OTHERWISE SPECIFIED
- DIMENSIONS ARE IN mm -

SHEET NO: 2 OF 2

SIZE UNI A3