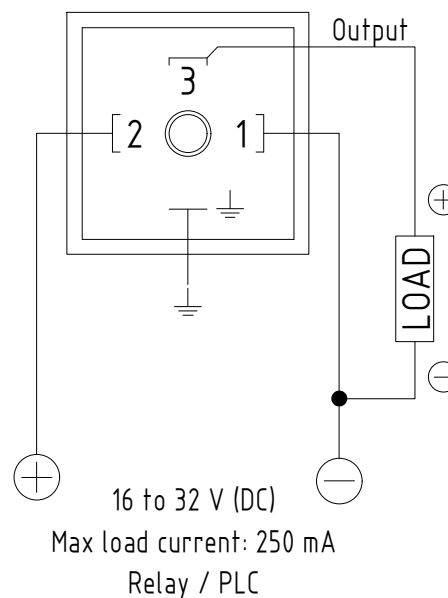
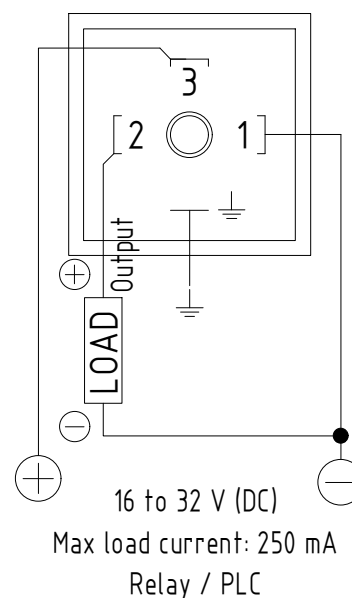


LOW LEVEL FAILSAFE MODE



HIGH LEVEL FAILSAFE MODE



Model	GVL1C
Weight	0,32 Kg
Power supply	Universal power supply 16 to 32V DC
Signal	PNP
Casing protection rating	IP65 (dust-tight, protection against water jets)
Wetted parts protection rating	IP68 (dust-tight, protected against the effect of continuous immersion in water)
Housing	AISI316L
Connection	AISI316L
Wetted parts	AISI316L
Ambient temperature	-20 < Ta < +70 [°C]
Process temperature	-30 < Tp < +150 [°C]
Pressure max	absolute/15 bar [abs]
Directives	2011/65/EU (RoHS) 2014/30/EU (EMC) 2014/35/EU (LVD)
ATEX Marking	-
IECEX Marking	-

® CAMLogic
 Via Dell'Industria 12
 42025 Cavriago (RE) - ITALY
 Web: www.camlogic.it



DRAWING NUMBER
0602_0043_00

DRAWN: Guidetti F. 17/03/2025

SCALE: 1 : 1.5
 GENERAL TOL: ISO 2768-mH

DESCRIPTION
GVL1C
 REV:
 SHEET: 1

FILE: 0602_0043_00-00.idw

DRAWING FROM CAD SYSTEM - REFER TO 3D MODEL FOR MISSING DIMENSION - NO MANUAL MODIFICATION ALLOWED

UNLESS OTHERWISE SPECIFIED - DIMENSIONS ARE IN mm - SHEET NO: 1 OF 1