

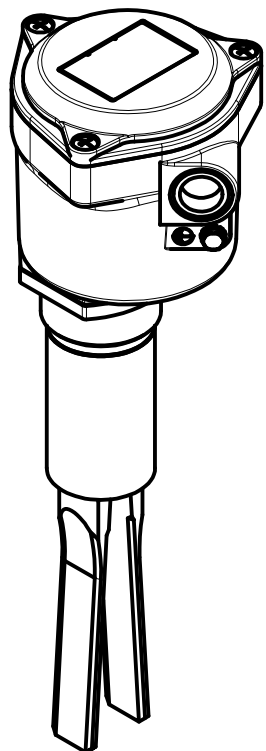
Fork orientation symbol: For lateral installations, the orientation of the fork tines must follow the direction of ascent or descent of the material to ensure correct detection.

~ 15 to 260 V (AC)

--- 15 to 80 V (DC)

⊕ ⊖ ⊚			MAX. 5A / 250V			MAX. 5A / 250V		
L1	N	PE	NO	COM	NC	NO	COM	NC
1	2	3	4	5	6	7	8	9
POWER SUPPLY			SIGNAL 1			SIGNAL 2		

Terminals with screw terminal design (flat head)
0,05 - 2,5mm² (AWG30 - AWG12)



Model	GVS25
Weight	1,5 Kg
Power supply	Universal power supply 15 to 80 VDC & 15 to 260 VAC
Signal	DPDT
Casing protection rating	IP65 (dustproof, protection against water jets)
Wetted parts protection rating	IP68 (dustproof, protected against the effect of continuous immersion in water)
Housing	Aluminium
Connection	G 1" 1/2 AISI316L
Wetted parts	AISI316L
Ambient temperature	-20 < Ta < +70 [°C]
Process temperature	-20 < Tp < +70 [°C]
Pressure range	+0,8 ... +15 bar [abs]
Directives	2011/65/EU (RoHS) 2014/30/EU (EMC) 2014/35/EU (LVD)
ATEX Marking	II 3D Ex tc IIIB T85°C IP65 Dc
IECEX Marking	-

® CAMLogic
Via Dell'Industria 12
42025 Cavriago (RE) - ITALY
Web: www.camlogic.it

CAMLogic®

DRAWING NUMBER
0602_0041_00

DRAWN: Guidetti F. 15/01/2025

SCALE: 1 : 2
GENERAL TOL: ISO 2768-mH

DESCRIPTION
GVS25
REV:
SHEET: 1

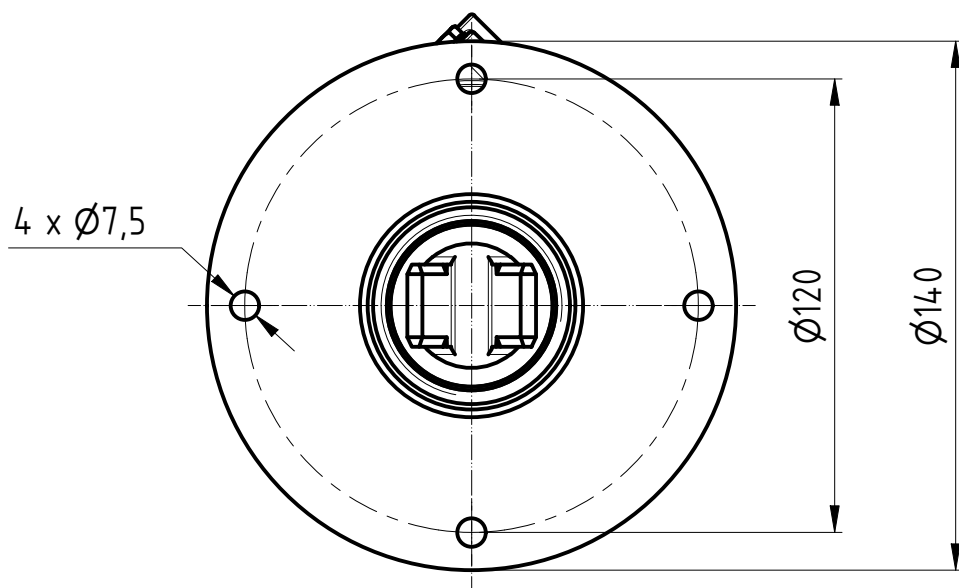
FILE: 0602_0041_00-00.idw

DRAWING FROM CAD SYSTEM - REFER TO 3D MODEL FOR MISSING DIMENSION - NO MANUAL MODIFICATION ALLOWED
UNLESS OTHERWISE SPECIFIED - DIMENSIONS ARE IN mm - SHEET NO: 1 OF 5

SIZE UNI A3

**CONFIDENTIAL / PROPRIETARY
DO NOT DISTRIBUTE**

® CAMLogic
- ALL RIGHTS RESERVED -

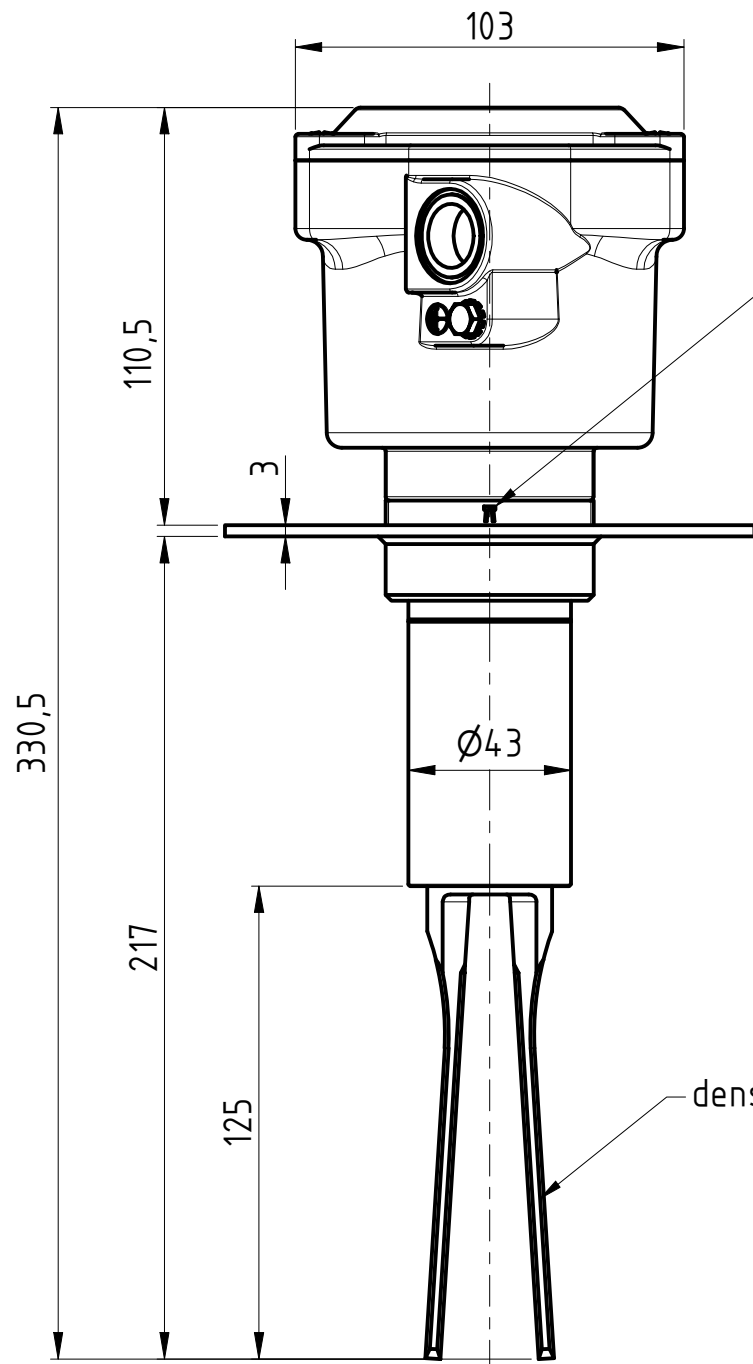


~ 15 to 260 V (AC)

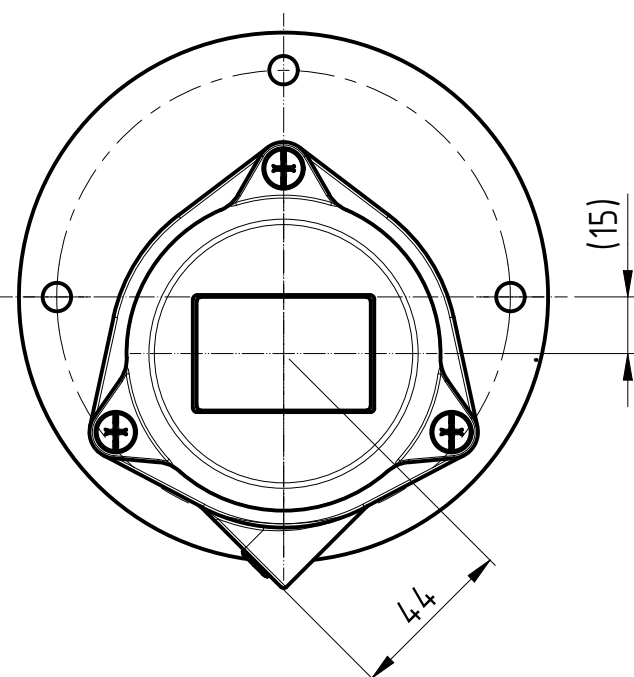
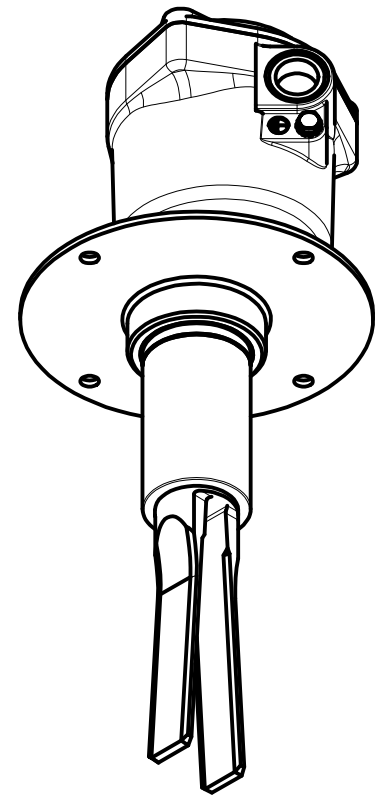
--- 15 to 80 V (DC)

⊕ ⊖ ⊔			MAX. 5A / 250V			MAX. 5A / 250V		
L1	N	PE	NO	COM	NC	NO	COM	NC
1	2	3	4	5	6	7	8	9
POWER SUPPLY			SIGNAL 1			SIGNAL 2		

Terminals with screw terminal design (flat head)
0,05 - 2,5mm² (AWG30 - AWG12)



Fork orientation symbol: For lateral installations, the orientation of the fork tines must follow the direction of ascent or descent of the material to ensure correct detection.



Model	GVS25F
Weight	1,9 Kg
Power supply	Universal power supply 15 to 80 VDC & 15 to 260 VAC
Signal	DPDT
Casing protection rating	IP65 (dustproof, protection against water jets)
Wetted parts protection rating	IP68 (dustproof, protected against the effect of continuous immersion in water)
Housing	Aluminium
Connection	AISI304
Wetted parts	AISI316L
Ambient temperature	-20 < Ta < +70 [°C]
Process temperature	-20 < Tp < +70 [°C]
Pressure range	+0,8 ... +15 bar [abs]
Directives	2011/65/EU (RoHS) 2014/30/EU (EMC) 2014/35/EU (LVD)
ATEX Marking	II 3D Ex tC IIIB T85°C IP65 Dc
IECEX Marking	-

® CAMLogic
Via Dell'Industria 12
42025 Cavriago (RE) - ITALY
Web: www.camlogic.it

CAMLogic®

DRAWING NUMBER
0602_0041_00
DRAWN: Guidetti F. 15/01/2025

SCALE: 1 : 2
GENERAL TOL: ISO 2768-mH

DESCRIPTION
GVS25
REV:
SHEET: 2

FILE: 0602_0041_00-00.idw

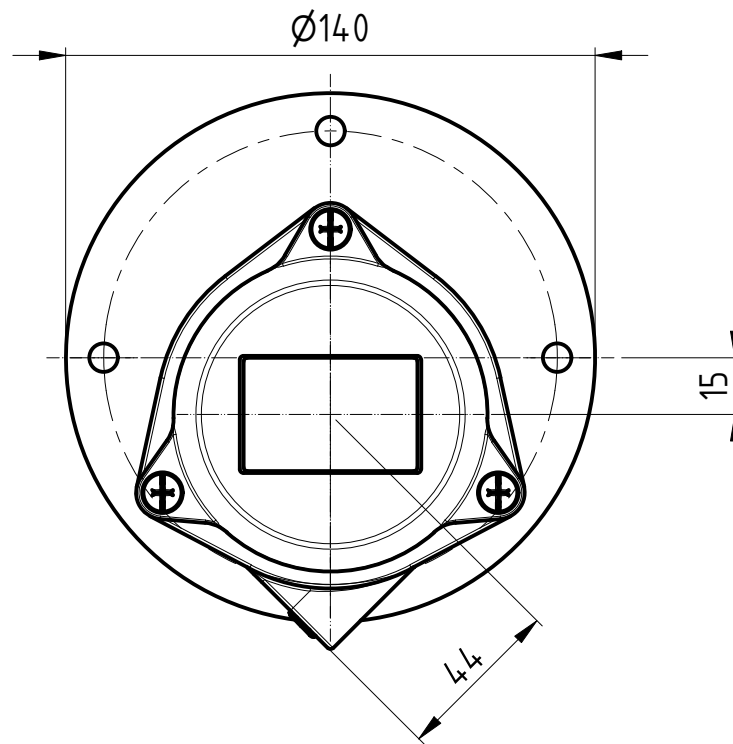
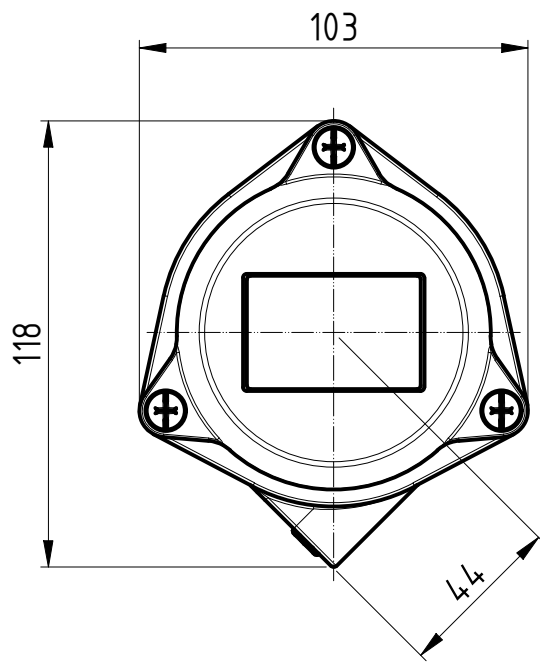
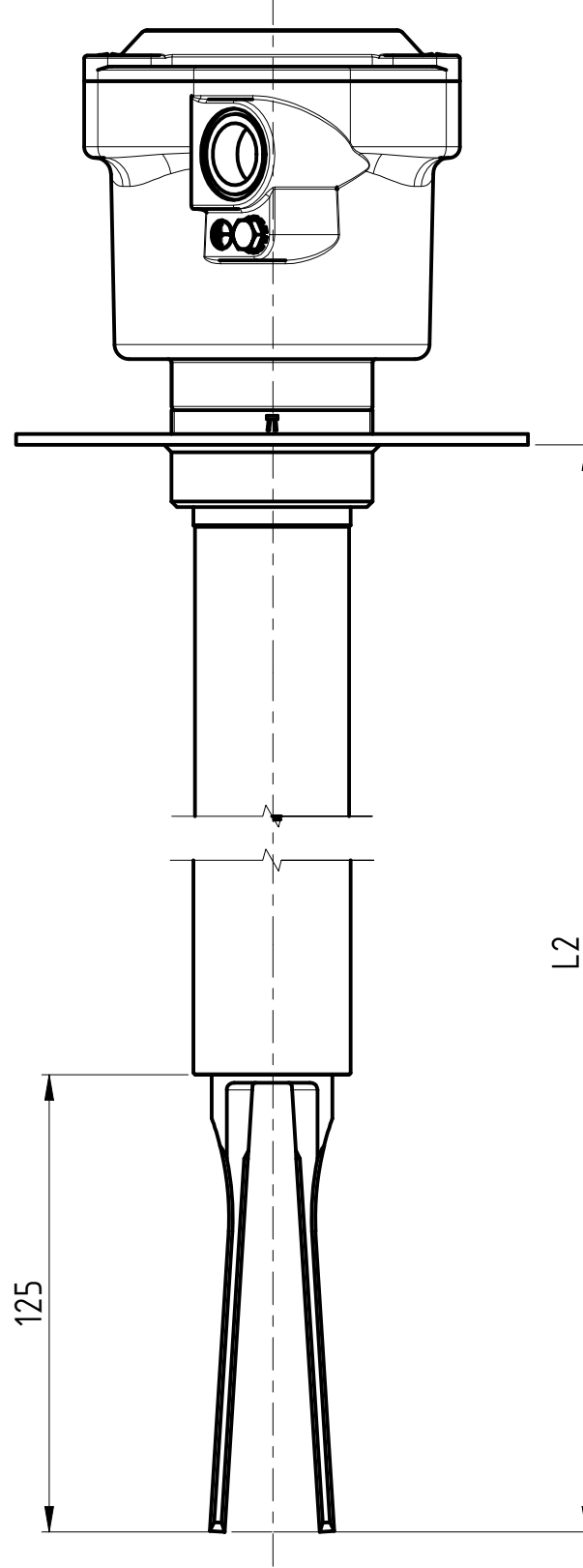
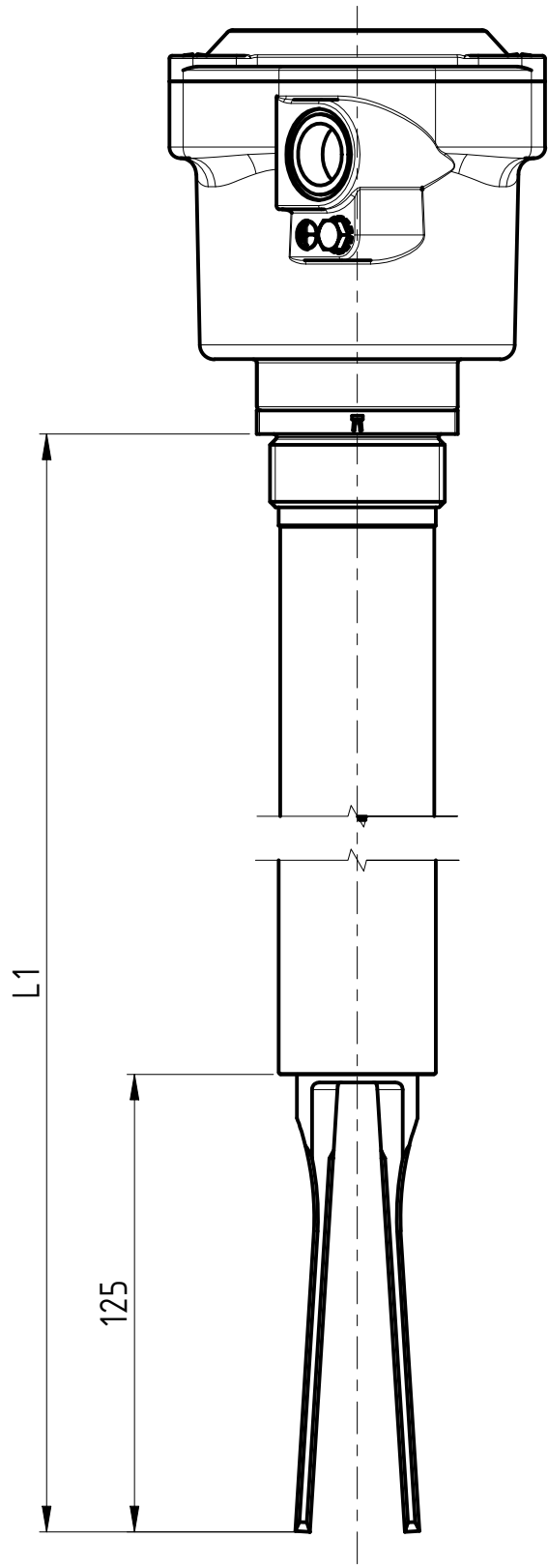
DRAWING FROM CAD SYSTEM - REFER TO 3D MODEL FOR MISSING DIMENSION - NO MANUAL MODIFICATION ALLOWED
UNLESS OTHERWISE SPECIFIED - DIMENSIONS ARE IN mm - SHEET NO: 2 OF 5

SIZE UNI A3

L1 (mm)	L2 (mm)
500	497
1000	997
2000	1997
3000	2997

Extension without flange

Extension with flange



**CONFIDENTIAL / PROPRIETARY
DO NOT DISTRIBUTE**

© CAMLogic
- ALL RIGHTS RESERVED -

© CAMLogic
Via Dell'Industria 12
42025 Cavriago (RE) - ITALY
Web: www.camlogic.it



DRAWING NUMBER
0602_0041_00

DRAWN: Guidetti F. 15/01/2025

SCALE: 1 : 2

GENERAL TOL: ISO 2768-mH

FILE: 0602_0041_00-00.idw

DESCRIPTION
GVS25

DRAWING FROM CAD SYSTEM - REFER TO 3D MODEL FOR MISSING DIMENSION - NO MANUAL MODICATION ALLOWED

REV:
SHEET: 3

UNLESS OTHERWISE SPECIFIED - DIMENSIONS ARE IN mm - SHEET NO: 3 OF 5

SIZE UNI A3