

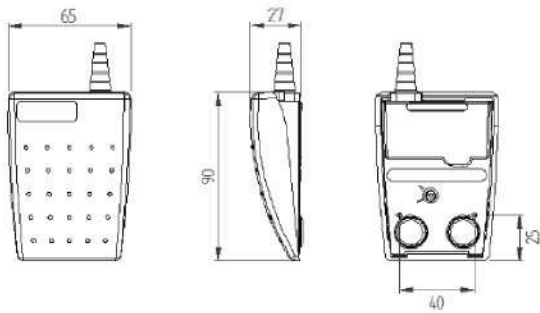


- ▶ **Low profile switch designed for improved user comfort**
- ▶ **All plastic construction with raised tread pattern, ideal for palm or foot operation**
- ▶ **Choice of operating force**
- ▶ **Versatility and innovative design make it an ideal product for OEM use**
- ▶ **Switches are designed to meet industrial and office/commercial standards (for medical approval, see 6223)**

| Specifications              |  |
|-----------------------------|--|
| Standards/approvals         | Footswitch: low voltage directive 2014/35/EU, EN 60950           |
| Degree of protection        | EN 60529 IPX2  |
| Connection method           | Stripped cable cores or connector of your choice                 |
| Electrical rating           | See ordering information   |
| Contact configuration       | SPST N/O, SPST N/C, SPCO   |
| Operating temperature range | -5°C to +40°C  |
| Body material               | Thermoplastic  |
| Weight                      | 0.212Kg (including cable)  |
| Additional information      | Customized versions available (logos, cordsets, colours, guards) |



## Dimensions





## Ordering information

(Please use the characters in the chart below to create your product code)

Sample Code 6220 - A A A B - Z A A A

### Cover & base colours

|   |                           |
|---|---------------------------|
| A | Black Cover & Black Base  |
| B | Grey Cover & Black Base   |
| C | Yellow Cover & Black Base |
| D | Green Cover & Black Base  |
| L | Red Cover & Black Base    |
| F | Black Cover & Grey Base   |
| G | Grey Cover & Grey Base    |
| H | Yellow Cover & Grey Base  |
| J | Green Cover & Grey Base   |
| K | Red Cover & Grey Base     |
| L | Blue Cover & Black Base   |

### Base configuration

|   |                            |
|---|----------------------------|
| A | Base with M3 brass inserts |
| Z | No inserts in base         |

### Pedal operation

|   |                                    |
|---|------------------------------------|
| A | Light, suitable for hand operation |
| B | Heavy, suitable for foot operation |

### Switching option

|   |   |
|---|---|
| A | SPST N/O<br>Choose 2-core cordset from 2- & 3-core cordset section            |
| B | SPCO<br>Choose 3-core cordset from 2- & 3-core cordset section                |
| E | SPST N/O 0.1A 24V<br>Choose 4-core cordset from either 4-core cordset section |

Only one cordset selection can be made from 1 of the next 4 sections, enter Z - for no option chosen for the remaining sections



## Ordering information

(Please use the characters in the chart below to create your product code)

**Sample Code**                    6220 - A A A B - Z A A A

**2-core Cordset sealed to IPX2 (BS EN 60529)**

|   |  |
|---|--|
| A | 3A 24V AC/DC, 0,75mm <sup>2</sup> , 2-core black cable, 2 m long                   |
| B | 3A 250V AC/DC, 0,75mm <sup>2</sup> , 2-core black cable, 2 m long                  |
| C | 1,75A 24V AC/DC, 2-core black 'UL' cable, 2 m long                                 |
| D | 1,75A 24V AC/DC, 2-core white 'UL' cable, 2 m long                                 |
| E | 3A 24V AC/DC, 0,75mm <sup>2</sup> , 2-core shielded flexible black cable, 2 m long |
| F | 0.1 A 24V AC/DC, 2-core black cable, 2 m long                                      |
| G | 0.1 A 240 V AC, 2-core black cable, 2 m long                                       |
| H | 0.1 A 24V AC/DC, 2-core black 'UL' cable, 2 m long                                 |
| J | 0.1 A 24V AC/DC, 2-core white 'UL' cable, 2 m long                                 |
| K | 0.1 A 24V AC/DC, 2-core shielded flexible black cable, 2 m long                    |
| Z | No options chosen  |

**3-core sealed to IPX2 (BS EN 60529)**

|   |  |
|---|--|
| A | 0.1 A 24V AC/DC, 3-core light grey cable, 2 m long               |
| B | 3A 250V AC, 3-core black cable, 2 m long                         |
| C | 0.1 A 240 V AC, 3-core black cable, 2 m long                     |
| D | 3A 24V AC/DC, 0,75mm <sup>2</sup> , 3-core black cable, 2 m long |
| E | 1.75A 24V AC/DC, 3-core screened grey cable, 2 m long            |
| Z | No options chosen  |



## Ordering information

(Please use the characters in the chart below to create your product code)

**Sample Code**                    6220 - A A A B - Z A A A

**Cordset with plugs, sealed to IPX2 (BS EN 60529)**

- A    0.1 A 24V AC/DC, 2-core black 'UL' cable, 2 m long, 3.5 mm Mono Jack-plug

---

- B    0.1 A 24V AC/DC, 2-core white 'UL' cable, 2 m long, 3.5 mm Mono Jack-plug

---

- C    0.1 A 24V AC/DC, 2-core screened grey cable, 2 m long, 3.5 mm Mono Jack-plug

---

- D    0.1 A 24V AC/DC, 2-core screened flexible black cable, 2 m long, 6.35 mm Mono Jack-plug

---

- E    0.1 A 24V AC/DC, 3-core light grey cable, 2 m long, 3.5 mm Stereo Jack-plug

---

- F    0.1 A 24V AC/DC, 3-core screened grey cable, 2 m long, 6.35 mm Stereo Jack-plug

---

- Z    No options chosen

**No cordset, IPX2, Customer to fit own cordset**

- A    Microswitch fitted: SPCO 16 A 250 V, 6.35 mm x 0.8 Push-on tag

---

- B    Microswitch fitted: SPCO 0.1A 250 V, 6.35 mm x 0.8 Push-on tag

---

- C    Microswitch fitted: SPCO 16 A 250 V, Solder tag

---

- D    Microswitch fitted: SPCO 0.1A 250 V, Solder tag

---

- Z    No options chosen

Note: The cordset rating must exceed the maximum control circuit rating. Options B & D are low power switches and must only be used in applications where suitably designed constraints are met.

**If you require a customized solution for your program contact our sales team.**