

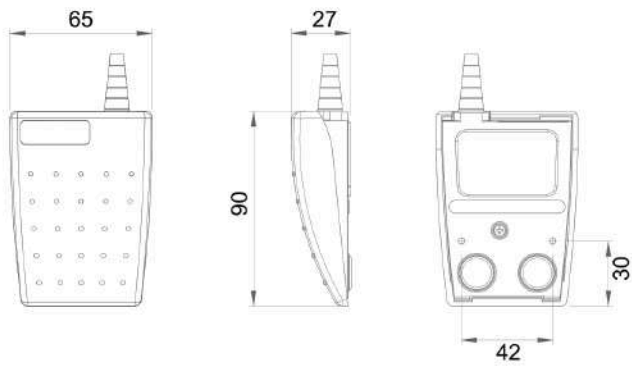


- ▶ **Low profile switch designed for improved user comfort**
- ▶ **All plastic construction with raised tread pattern, ideal for palm or foot operation**
- ▶ **Versatility and innovative design make it an ideal product for OEM use**
- ▶ **Switches designed to meet medical, industrial/office/commercial standards**
- ▶ **Option for customers to fit own cables**

Specifications	
Standards/approvals	UL File No: E353500 · EN 60601-1:2007/A2:2021 · IEC 60601-1:2005+AMD1:2012+AMD2:2020 · CAN/CSA C22.2. No 60601-1:08 · CAN/CSA C22.2. No 60601-1-14/A1+A2:2022 · ANSI/AAMI ES60601-1:2005/A1:2012 +A2:2021
Degree of protection	EN 60529 IPX2
Connection method	Stripped cable cores or connector of your choice
Electrical rating	See table page 2
Contact configuration	SPST N/O, SPST N/C, SPCO
Operating temperature range	-5°C to +40°C
Body material	Thermoplastic
Weight	0.212Kg (including cable)
Additional information	Customized versions available (logos, cordsets, colours, guards)



## Dimensions





## Ordering information

(Please use the characters in the chart below to create your product code)

Sample Code 6223 - A A A B - ZAZA - A 00

### Cover & base colours

A	Black Cover & Black Base
B	Grey Cover & Black Base
C	Yellow Cover & Black Base
D	Green Cover & Black Base
L	Blue Cover & Black Base
F	Black Cover & Grey Base
G	Grey Cover & Grey Base
H	Yellow Cover & Grey Base
J	Green Cover & Grey Base
M	Blue Cover & Grey Base

### Base configuration

A	Base with M3 brass inserts, no guard fitted (micro in sealed module)
Z	No inserts or guard fitted

### Switching option

A	SPST N/O
B	SPCO
E	SPST N/O 0.1A 24V

### Approvals

B	IEC 60601-1 & UL 60601-1
---	--------------------------

If you require a customized solution for your program contact our sales team.



## Ordering information

(Please use the characters in the chart below to create your product code)

Sample Code                    6223 - A A A B - ZAZA - A 00

### IEC 60601-1 & UL 60601-1, 2 & 3-core cordsets

AZAZ 2-core grey 1.75A 24V

BZBZ 2-core grey 0.1A 24V

CZCZ 2-core black 1.75A 24V

DZDZ 2-core black 0.1A 24V

EZEZ 2-core grey screened, 1.75A 24V

FZFZ 2-core grey screened, 0.1A 24V

ZAZA 3-core grey 1.75A 24V

ZBZB 3-core grey 0.1A 24V

ZCZC 3-core black 1.75A 24V

ZDZD 3-core black 0.1A 24V

ZEZE 3-core grey screened, 1.75A 24V

ZFZF 3-core grey screened, 0.1A 24V

ZZZZ No option chosen

### Non cable variants, customer fitted cables, IPX2 components

A Microswitch fitted, SPCO 16A 24V,  
6.3mm x 0.8mm push-on tag

B Microswitch fitted, SPCO 16A 24V,  
6.3mm x 0.8mm solder tag

E Microswitch fitted, SPCO 0.1A 24V,  
6.3mm x 0.8mm solder tag

Z No option chosen

### Special attributes

- Customer specified/supplied cordset for factory fitting with/out plug
- Customer specified identification & label combination - the suitability may not be covered by UL Guard fitted
- Cable length variation if different from 2m
- Z No option provided

If you require a customized solution for your program contact our sales team.