

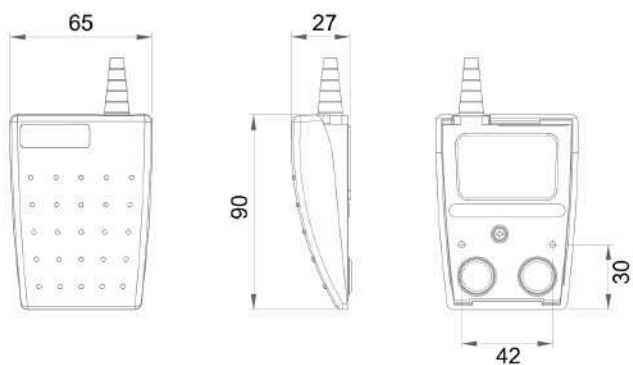


- ▶ **Low profile switch designed for improved user comfort**
- ▶ **All plastic construction with raised tread pattern, ideal for palm or foot operation**
- ▶ **Versatility and innovative design make it an ideal product for OEM use**
- ▶ **Switches designed to meet medical, industrial/office/commercial standards**
- ▶ **Option for customers to fit own cables**

Specifications	
Standards/approvals	UL File No: E353500 · EN 60601-1:2007/A2:2021 · IEC 60601-1:2005+AMD1:2012+AMD2:2020 · CAN/CSA C22.2. No 60601-1:08 · CAN/CSA C22.2. No 60601-1-14/A1+A2:2022 · ANSI/AAMI ES60601-1:2005/A1:2012 +A2:2021
Degree of protection	EN 60529 IPX7 (IPX8 upon request)
Connection method	Stripped cable cores or connector of your choice
Electrical rating	See table page 2
Contact configuration	SPST N/O, SPST N/C, SPCO
Operating temperature range	-5°C to +40°C
Body material	Thermoplastic
Weight	0.212Kg (including cable)
Additional information	Customized versions available (logos, cordsets, colours, guards)



Dimensions





Ordering information

(Please use the characters in the chart below to create your product code)

Sample Code 6224 - A A A B - ZAZA - 000

Cover & base colours	
A	Black Cover & Black Base
B	Grey Cover & Black Base
C	Yellow Cover & Black Base
D	Green Cover & Black Base
L	Blue Cover & Black Base
F	Black Cover & Grey Base
G	Grey Cover & Grey Base
H	Yellow Cover & Grey Base
J	Green Cover & Grey Base
M	Blue Cover & Grey Base

Base configuration	
A	Base with M3 brass inserts, no guard fitted (micro in sealed module)
B	Base with M3 inserts
C	Base with no inserts
Z	No inserts or guard fitted

When choosing B & C, the base fixing centres are 40mm

Switching option	
A	SPST N/O(micro in sealed module) 1.75A 24V
B	SPCO (micro in sealed module) 1.75A 24V
C	SPST N/C (micro in sealed module) 1.75A 24V
D	SPST N/O 1.75A 24V
E	SPST N/O 0.1A 24V
F	SPCO 1.75A 24V
G	SPCO 0.1A 24V
H	SPST N/C 1.75A 24V
J	SPST N/C 0.1A 24V

Approvals	
B	IEC 60601-1 & UL 60601-1

If you require a customized solution for your program contact our sales team.



Ordering information

(Please use the characters in the chart below to create your product code)

Sample Code 6224 - A A A B - ZAZA - 000

IEC 60601-1 & UL 60601-1, 2 & 3-core cordsets

AZAZ	2-core grey 1.75A 24V
BZBZ	2-core grey 0.1A 24V
CZCZ	2-core black 1.75A 24V
DZDZ	2-core black 0.1A 24V
EZ EZ	2-core grey screened, 1.75A 24V
FZ FZ	2-core grey screened, 0.1A 24V
ZAZA	3-core grey 1.75A 24V
ZBZB	3-core grey 0.1A 24V
ZCZC	3-core black 1.75A 24V
ZDZD	3-core black 0.1A 24V
ZEZE	3-core grey screened, 1.75A 24V
ZFZF	3-core grey screened, 0.1A 24V
ZZZZ	No option chosen

Special attributes

- Customer specified/supplied cordset for factory fitting with/out plug
- Customer specified identification & label combination - the suitability may not be covered by UL Guard fitted
- Cable length variation if different from 2m
- Z No option provided

If you require a customized solution for your program contact our sales team.