



- ▶ **Fitted with 6226-BABB-ZZZA-0011 footswitch**
- ▶ **Grey footswitch with moulded grey modular base system**
- ▶ **Complete with 2m of cable and Heyco gland**
- ▶ **Footswitch electrical rating: 1.75A 24V AC/DC**
- ▶ **Wired normally open**

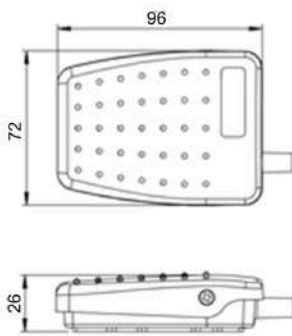
Special single-pedal version of 6226 series footswitch assembled in modular base system with IPX7 rating

Specifications	
Standards/approvals	Footswitch: UL file reference E353500 ANSI/AAI ES60601-1, A1:2012, C1:2009/(R) 2012 and A2:2010 (R) 2012 CSA CAN/CSA-C22.2 No 60601-1-14 IEC 60601-1 Ed 3.1 (2012) EN 60601-1:2006 & A1:2013 & A12:2014 BS EN 62368-1:2014 & A11:2017
Degree of protection	EN 60529 IPX7 (IPX8 upon request)
Connection method	2m of 2-core cable and Heyco gland
Electrical rating	1.75A 24V AC/DC
Contact configuration	Normally Open contacts
Operating temperature range	-20°C to +60°C
Storage temperature range	-20°C to +70°C
Body material	Thermoplastic
Weight	0.5 kg (including cable)
Additional information	Footswitch - Customized versions available (logos, cordsets, colours, guards) Base - Lift bars, guards and cable exit options as well as handles, dividers and steel base plate.

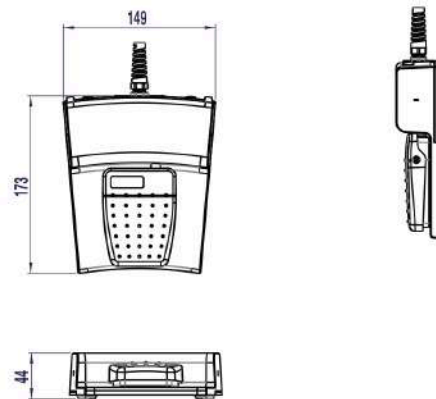


## Dimensions

Footswitch



Modular base



## Accessories



- ▶ Bluetooth® switching versions available
- ▶ Lift bars, guards and cable exit options can be specified
- ▶ Handles, dividers and steel base plate options