

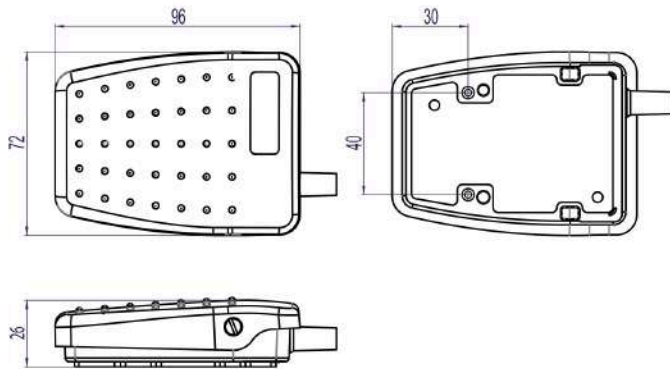


- ▶ Low profile, rear hinged switch designed for improved user comfort
- ▶ All plastic construction with raised tread pattern and anti-slip pad
- ▶ Versatile and innovative design make it an ideal product for OEM use
- ▶ Switches designed to meet industrial/office/commercial standards
- ▶ Increased temperature range of -20 to +80°C

Specifications	
Standards/approvals	Footswitch: Low voltage directive 2014/35/EU, EN 60950
Degree of protection	EN 60529 IPX7
Connection method	2 m of cable with stripped cable cores
Electrical rating	Max. 3A 250V AC/DC
Contact configuration	SPCO
Operating temperature range	-20°C to +80°C
Body material	Thermoplastic
Weight	0,14Kg (including cable)
Additional information	Customized versions available (logos, cordsets, colours, guards)



Dimensions





Ordering information

(Please use the characters in the chart below to create your product code)

Sample Code 6229 - A C B A - Z B ZZ - 000

Cover		
A	Black	
B	Grey	
Base configuration		
C	Base fitted with M3 brass inserts & Neoprene pad	
Switching action		
B	Single pole change over microswitch (CC)	
Electrical rating		
A	Gold contacts, 0.1A 24V AC/DC	
B	Silver contacts, 3A 250V AC/DC	
Cable		
B	2m of black cable	
Special attributes		
001 through 999 indicates special attributes		

Accessories

Part-Number	Description
6202-0001	Single black, RAL 9005 guard
6202-0002	Single grey, RAL 7035 guard
6202-0003	Twin grey, RAL 7035 guard



If you require a customized solution for your program contact our sales team.