

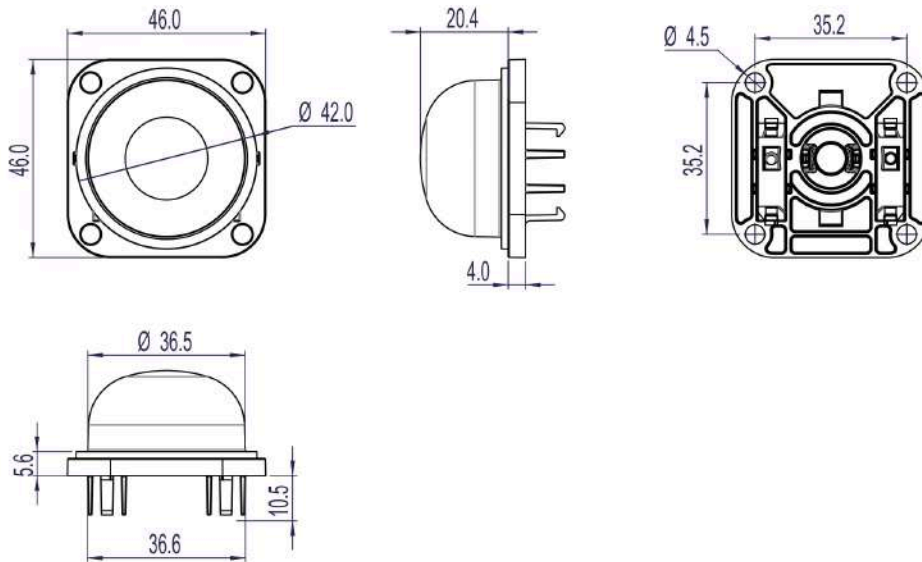


- ▶ **High mechanical stability**
- ▶ **Easy to clean**
- ▶ **Haptic feedback in the form of an audible “click” when pressed**
- ▶ **Can be integrated into Herga’s modular footswitch range**
- ▶ **Can be fitted into an external system**
- ▶ **Designed in line with medical standards**
- ▶ **Made with UL approved materials**
- ▶ **Rated IP67**

Specifications	
Standards/ Approvals	Micro switch UL/cUL/ENEC15
Degree of protection	IP67
Connection method	Flying leads 400 mm long
Micro switch Electrical Rating	0.1A 125/250V AC, 0.1A 30V DC or 3A 24V AC
Contact Configuration	SPDT/ DPDT Momentary
Operating temperature range	10° C to 50° C
Storage temperature range	-20° C to +50° C
Body material	Acetal Copolymer
Bellows material	PVC Bellows
Weight	25g
Average mechanical life	1 x 10 ⁶ (dependent on application)
Additional information	Standard black bellows Additional colours on request Designed to meet IEC 60601-1



Dimensions



Panel hole not to exceed $\varnothing 37.00$

Order information

6244 - CC Stock model - SPDT-Contacts, Black
6244 - DC DPDT-Contacts, Black

Momentary Action
 Momentary Action