



- ▶ The Mistral offers high performance and style
- ▶ Average life expectancy 1 x 10⁶ operations
- ▶ Rugged high performing heavy duty footswitch
- ▶ Available in a choice of colour combinations and valve port threads
- ▶ The guard is large enough to allow operator to wear industrial protective shoes

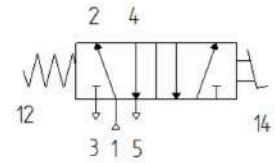
Specifications	
Technical data	
Maximum operating pressure	10 bar (145 PSI / 1000 kPa)
Air condition	Filtered to 40 microns lubricated or dry
Flow rate at 6 bar (87 PSI / 600 kPa)	22 CFM (620 NI/min)
Ports	ISO R228 (1/8" BSP) standard or NPT
Orifice size	6 mm
General specifications	
Standards/approvals	n/a
Connection method	n/a
Electrical rating	n/a
Contact configuration	See table
Pressure range	10 bar max.
Operating temperature range	-5 ° C to + 50 ° C
Body material	Die cast aluminium
Weight	Cover/unguarded 0.8 Kg / guarded 1.5 Kg



Connection data

Valve connected as a 5/2 Valve

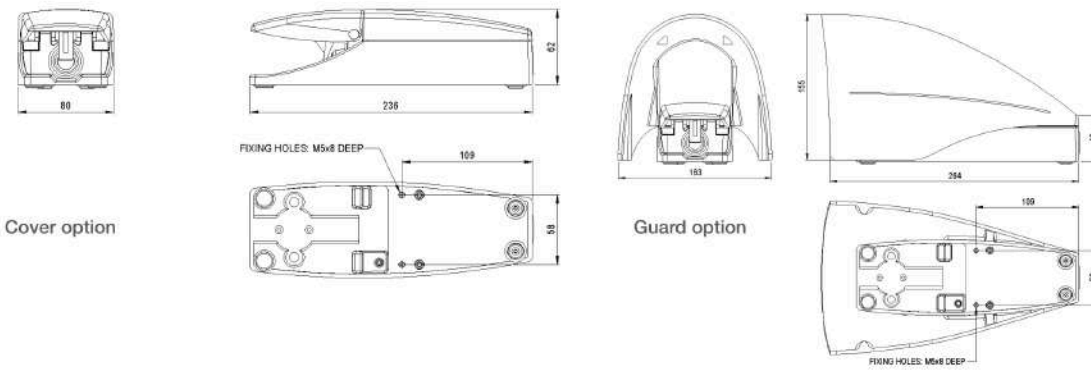
- ▶ **The air supply should be connected to port 1**
- ▶ **Port 2 and 4 are outlet or cylinder ports**
- ▶ **Ports 3 and 5 are exhaust ports and should be left open to atmosphere or fitted with silencers. See note below**



Note:

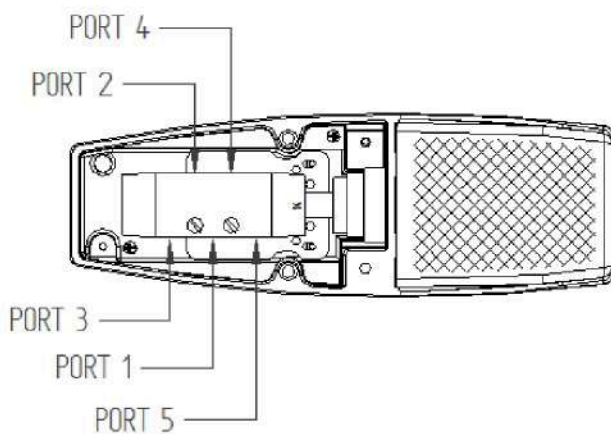
We recommend that the exhaust ports of the valve are fitted with silencers. These will reduce the noise of the exhausting air and prevent dirt entering the valve.

Dimensions



Cover option

Guard option





Ordering information

(Please use the characters in the chart below to create your product code)

Sample Code 6255 - A A A A - A A Z Q

Cover and guard colours

- A Cover Yellow

- B Guard Yellow

- C Cover White

- D Guard White

- E Cover Blue

- F Guard Blue

Base Colour

- A Black

Base Configuration

- A Entrance ports on each side of base

Tread Colour

- A Black

Valve action

- A Momentary 5/2 valve 1/8" BSP ISO R228 Standard

- B Momentary 5/2 valve 1/8" NPT

Pneumatic rating

- A Max. operating pressure: 10,000 mbar, Temperature -20°C to +80°C

If you require a customized solution for your program contact our sales team.