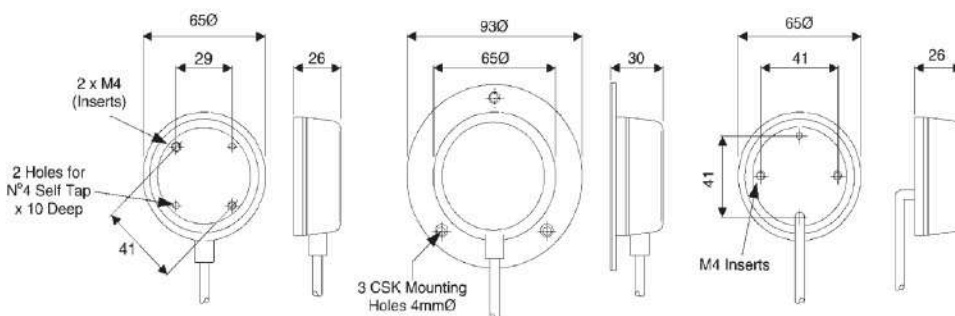




Specifications	
Standards/approvals	n/a
Connection method	Tubing 3 mm I/D or 1.5mm I/D (back entry only)
Pressure range	Works with 6871, 6872, 6773, 6753, 6891, 6893, 6861, 6862, 6863, 6864, 6869 – dependent on tube length
Operating temperature range	-10°C to +40°C
Body material	Thermoplastic
Weight	0.08 kg

Note: Recommended depression time is 30 seconds, for applications requiring a greater period please contact sales to discuss further.

### Dimensions





## Ordering information

(Please use the characters in the chart below to create your product code)

**Sample Code**                      643 1 - A B C D - 0000

Tube entry	
1	Side entry tube
9	Back entry tube

Colour option	
A	Black
B	Grey
C	White
D	Red
F	Green

Tube type	
A	Black tubing with 3mm I/D and 6mm O/D
B	Clear tubing with 3mm I/D and 6mm O/D
C	Black tubing with 1.5mm I/D and 3mm O/D
D	Black curly coil with 1.5mm I/D and 3mm O/D (please select option G from tube length section)
Z	No tube required

If you require a customized solution for your program contact our sales team.



## Ordering information

(Please use the characters in the chart below to create your product code)

**Sample Code**                      643 1 - A B C D - 0000

### Tube length

A	1.5m
B	2m
C	3m
D	4m
E	5m
F	6m
G	Curly coil tube (2.4 metre ext.)
Z	None supplied

### Mounting option

C	No mounting plate but with M4 inserts fitted
F	Black plastic plate with mounting holes
G	Black plastic plate without mounting holes
H	Chrome plastic plate with mounting holes
J	Chrome plastic plate without mounting holes
Z	No mounting plate & no inserts required

**Stock model:** 6431-AABC-0000  
6439-AZZC-0000

**If you require a customized solution for your program contact our sales team.**