



- ▶ **Choice of button/escutcheon materials**
- ▶ **Choice of colours**
- ▶ **Choice of tube options**
- ▶ **Large air volume for longer tube lengths**

Specifications	
Standards/approvals	n/a
Connection method	Via back entry spout, 4mm dia. or 2mm dia.
Electrical rating	n/a
Contact configuration	See table
Pressure range	Compatible with 6871, 6872, 6773, 6753, 6891, 6893, 6861, 6862, 6863, 6864, 6869 – dependent on tube length
Operating temperature range	-10°C to +40°C
Body material	Thermoplastic
Weight	Plastic – 0.063Kg; metal – 0.2Kg
Additional information	Available as a vandal resistant version 6443

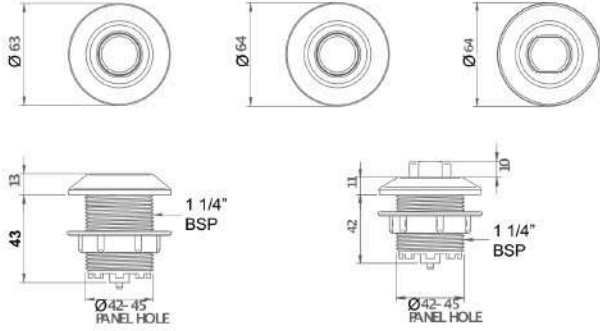
Recommended depression time is 30 seconds, for applications requiring a greater period please contact sales to discuss further.



Dimensions

Metal variant

Plastic variants





Ordering information

(Please use the characters in the chart below to create your product code)

Sample Code 6442 - A A A A - A 000

Button Type (note bleow)

A	Flush double D button
B	Raised double D button (10mm high)
C	Extended double D button (16mm high)
D	Flush round button
E	Raised round button
Z	No button requiered

Button finish (note below)

A	White
B	Brilliant White
C	Chrome
D	Gold
F	Black
G	Red
N	Chrome plated brass
P	Stainless steel
Z	None supplied

Escutcheon finish (see below)

A	White
B	Brilliant White
C	Chrome
D	Gold
F	Black
G	Red
N	Chrome plated brass
P	Stainless steel
Z	None supplied



Ordering information

(Please use the characters in the chart below to create your product code)

Sample Code 6442 - Δ Δ Δ Δ - Δ 000

Bellows option

- A Bellows - \varnothing 4 mm spout to suit 2311-01/08 tube

- B Bellows - \varnothing 2 mm spout to suit 2311-03 tube

- Z No bellows required

Nut & washer option

- A Supplied with nut & washer

- Z No nut & washer required

Note: Button type "D" - metal and non-plated versions only.
 Button finish option 'P' - stainless steel can only be supplied as a flush button.
 For vandal resistant version, order 6443-0001, similar to 6442-DPPA-A000 (stainless).

Stock models : **6442-BAAA-A000**
 6442-BCCA-A000

If you require a customized solution for your program contact our sales team.