

- ▶ Switches have been designed primarily for the OEM manufacturer who requires high reliability
- ▶ UL approved versions available
- ▶ Double pole switching available as 6722
- ▶ Wide choice of microswitch options including tag configurations
- ▶ High performance repeatability

Specifications	
Standards/approvals	UL 508 specific models only
Degree of protection	n/a
Connection method	Back & side entry spout, Ø4 mm or 1/8" BSPT & NPT brass
Electrical rating	See table
Contact configuration	See table
Pressure range	See ordering information
Operating temperature range	-5°C to +70°C
Body material	Thermoplastic
Weight	0.04 kg
Additional information	Setting accuracy +/- 10% For very low power circuits, gold contact versions are available on request Alternative diaphragm and spring materials available on request

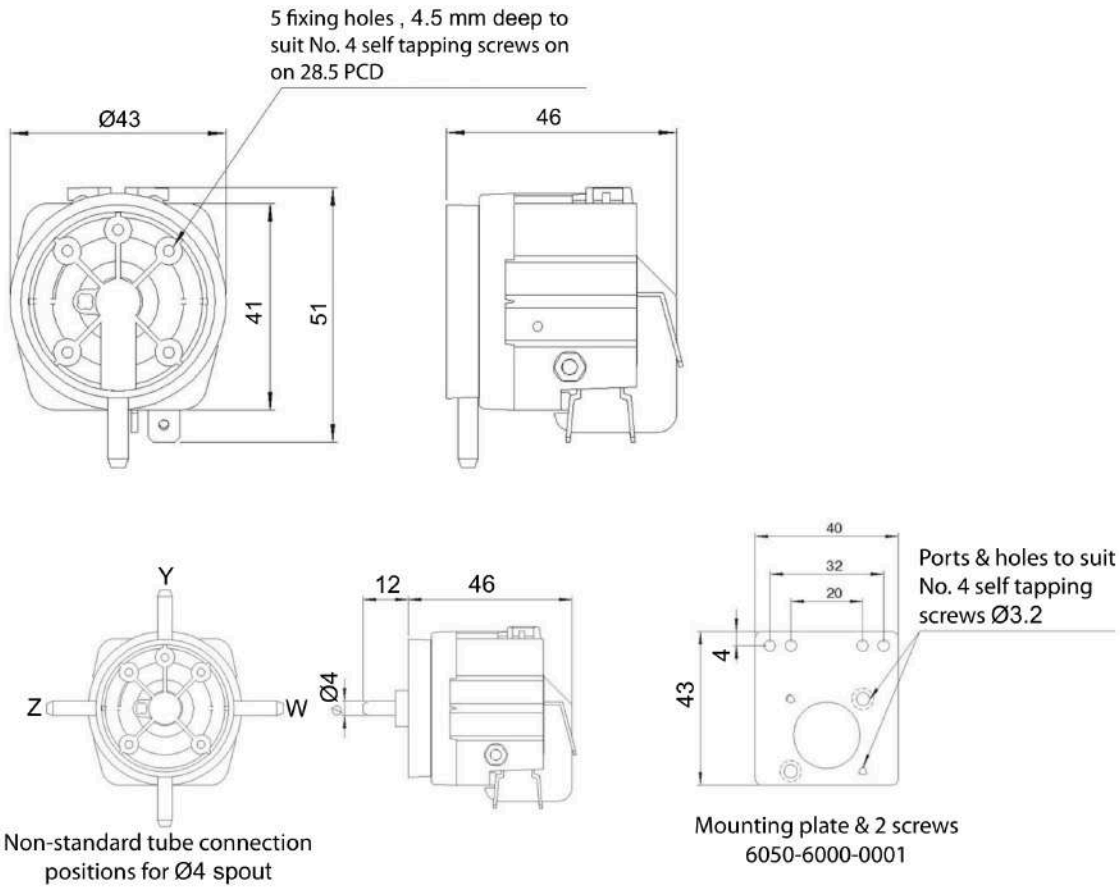


Suitability for use with the following media:	
Acetone	✓
Ammonia (Liquid)	✓
Amyl Alcohol to 20°C	✓
Automotive Brake Fluid	✓
Beer	✓
Benzyl Alcohol	x
Butane	✓
Carbon Dioxide – Dry	✓
Citric Acid	✓
Copper Sulphate (Sol.)	✓
Compressed Air	✓
Cutting Oil	✓
Diesel Oil	✓
Detergent Solution	✓
Fuel Oil	✓
Glycol	✓
Hydraulic Oil	✓
Hydrogen	✓
Lubricating Oil	✓
Milk	✓
Mineral Oil	✓
Natural Gas	✓
Nitric Acid (Dil.)	x
Oxygen to 70°C	✓
Petrol	✓
Plating Solution (Chrome)	✓
Salt Water	✓
Sewage	✓
Sulphur Dioxide	x
Turpentine	✓
Vinegar	✓
Water	✓

- ✓ = Recommend
 ☑ = Suitable with modification
 x = Not suitable



Dimensions



Stock model

Model part no.	6721-40	6721-03	6721-06	6721-20	6721-30				
Vacuum range min.	185 mbar	7.5 mbar	17.5 mbar	32 mbar	70 mbar				
Vacuum range max.	670 mbar	20 mbar	37 mbar	80 mbar	200 mbar				
Body withstand pressure	2550 mbar								
Connecting tube reference	2311-01 / 2311-08 to suit Ø4 mm spout								
Diaphragm	Neoprene								
Mechanical life	1 x 10 ⁶ Cycles	2 x 10 ⁶ Cycles	1 x 10 ⁶ Cycles	1 x 10 ⁶ Cycles	1 x 10 ⁶ Cycles				
Spring	Spring steel fitted in vacuum cavity, therefore in contact with media								
Model	6721-03		6721-06		6721-20/30/40				
Contact configuration	SPCO								
Contact plating	Silver								
Electical life	2 x 10 ⁵ @ 1A Cycles		2 x 10 ⁵ @ 6A Cycles 5 x 10 ⁴ @ 10A Cycles		2 x 10 ⁵ @ 10A Cycles 1 x 10 ⁴ @ 21A Cycles				
Maximum electrical load									
	Voltage	Resistive	Inductive	Resistive	Inductive	Motor (Pf0.75)	Resistive	Inductive	Motor (Pf0.75)
	125V	3A	1A	10A	3A	0,5HP	21A	8A	1HP
AC	250V	3A	1A	10A	3A	0,5HP	21A	8A	2HP
DC	6V	3A	1A	10A	3A		21A	21A	
	12V	3A	1A	5A	3A		15A	15A	
	24V	1A	0,5A	5A	3A		8A	7A	
	60V	1A	0,5A	1A	0,5A		1A	0,5A	