



- ▶ **High reliability for OEM manufacturer**
- ▶ **UL recognised versions available**
- ▶ **Double pole switching available as a 6742**
- ▶ **Wide choice of microswitch options including tag configurations**
- ▶ **High performance repeatability**

**Specifications**

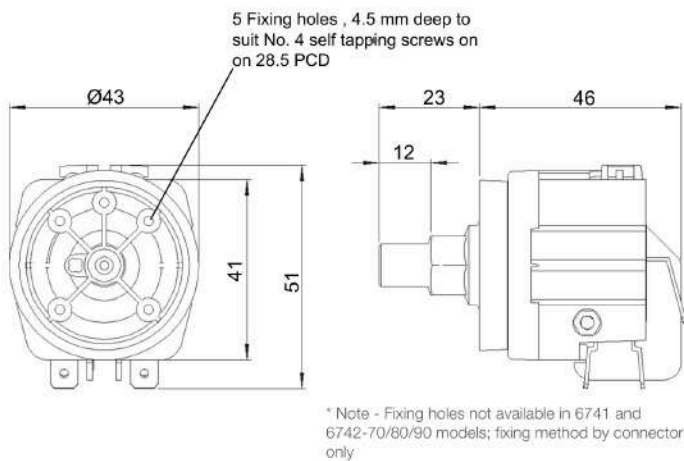
|                             |  |
|-----------------------------|--|
| Standards/approvals         | UL 508 specific models only  |
| Degree of protection        | n/a  |
| Electrical rating           | See table  |
| Contact configuration       | See table  |
| Mech. life cycles           | 1 x 10 <sup>6</sup>  |
| Operating temperature range | -5° C to + 70° C   |
| Body material               | Thermoplastic  |
| Spring                      | spring steel   |
| Weight                      | 6741: 0.05 kg<br>6742: 0.085 kg  |
| Additional information      | Setting accuracy ±10%<br>For very low power circuits, gold contact versions are available upon request.<br>Alternative diaphragm & spring materials available upon request |

| Model part no.                 | 6741 and 6742 -20/30/40/50/60 |     |     |      |      | 6741 and 6742 -70/80/90 |       |      |
|--------------------------------|-------------------------------|-----|-----|------|------|-------------------------|-------|------|
| Pressure Range Min. (mbar)     | 100                           | 200 | 340 | 540  | 1080 | 1700                    | 3100  | 4140 |
| Pressure Range Max. (mbar)     | 240                           | 370 | 680 | 1220 | 2040 | 3790                    | 5170  | 8270 |
| Body withstand pressure (mbar) | 2550                          |     |     |      |      |                         | 10000 |      |
| Connecting tube reference      | 1/8" BSPT & NPT Brass         |     |     |      |      |                         |       |      |
| Diaphragm                      | Neoprene                      |     |     |      |      | Nitrile                 |       |      |

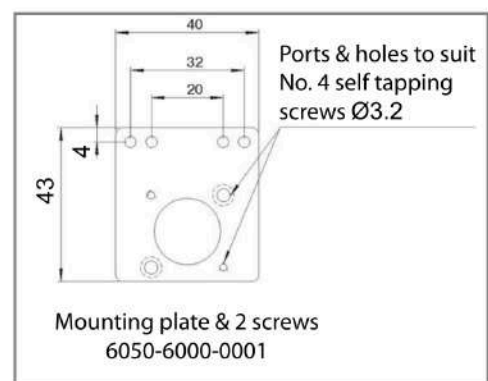


| Electrical Data       |             |  |               |                |
|-----------------------|-------------|--|---------------|----------------|
| Model                 |             | 6741   |               | 6742           |
| Contact configuration |             | SPCO   |               | DPCO           |
| Contact plating       |             | Silver   |               |                |
| Electical life        |             | 2 x 10 <sup>5</sup> @ 10A (Cycles)<br>1 x 10 <sup>4</sup> @ 21A (Cycles) |               |                |
| Electrical rating     |             | Maximum electrical load  |               |                |
|                       | Voltage (V) | Resistive (A)  | Inductive (A) | Motor (Pf0.75) |
| AC                    | 125         | 21   | 8             | 1HP            |
| AC                    | 250         | 21   | 8             | 2HP            |
| DC                    | 6           | 21   | 21            |                |
| DC                    | 12          | 15   | 15            |                |
| DC                    | 24          | 8  | 7             |                |
| DC                    | 60          | 1  | 0.5           |                |
| DC                    | 110         | 0.5  | 0.2           |                |
| DC                    | 220         | 0.25   | 0.1           |                |

**Dimensions**



**Mounting plate details**





| Suitability for use with the following media |                     |               |
|--|---------------------|---------------|
|  | 6741-20/30/40/50/60 | 6741-70/80/90 |
| Acetone                                      | ☑                   | ☑             |
| Ammonia (Liquid)                             | ☑                   | ☑             |
| Amyl Alcohol to 20°C                         | ☑                   | ☑             |
| Automotive Brake Fluid                       | ☑                   | ☑             |
| Beer   | ☑                   | ☑             |
| Benzyl Alcohol                               | ×                   | ☑             |
| Butane                                       | ✓                   | ✓             |
| Carbon Dioxide – Dry                         | ✓                   | ✓             |
| Citric Acid                                  | ✓                   | ✓             |
| Copper Sulphate (Sol.)                       | ☑                   | ☑             |
| Compressed Air                               | ✓                   | ✓             |
| Cutting Oil                                  | ☑                   | ✓             |
| Diesel Oil                                   | ☑                   | ✓             |
| Detergent Solution                           | ☑                   | ✓             |
| Fuel Oil                                     | ☑                   | ✓             |
| Glycol                                       | ✓                   | ✓             |
| Hydraulic Oil                                | ☑                   | ✓             |
| Hydrogen                                     | ✓                   | ✓             |
| Lubricating Oil                              | ☑                   | ✓             |
| Milk   | ☑                   | ☑             |
| Mineral Oil                                  | ☑                   | ✓             |
| Natural Gas                                  | ✓                   | ✓             |
| Nitric Acid (Dil.)                           | ×                   | ☑             |
| Oxygen to 70°C                               | ✓                   | ✓             |
| Petrol                                       | ☑                   | ✓             |
| Plating Solution (Chrome)                    | ☑                   | ☑             |
| Salt Water                                   | ☑                   | ☑             |
| Sewage                                       | ☑                   | ✓             |
| Sulphur Dioxide                              | ×                   | ☑             |
| Turpentine                                   | ☑                   | ✓             |
| Vinegar                                      | ☑                   | ☑             |
| Water  | ✓                   | ✓             |

- ✓ = Recommend  
 ☑ = Suitable with modification  
 × = Not suitable

**Stock model 6742-30**