

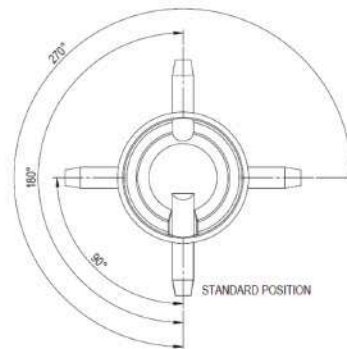


- ▶ **A range of small switches designed for direct mounting onto printed circuit boards**
- ▶ **UL versions available upon request**
- ▶ **Low pressure switching**
- ▶ **Slow make contacts**
- ▶ **Available with back or side tube entry**
- ▶ **Silver or gold contact options**
- ▶ **Switches can be factory set within specified tolerances**
- ▶ **Various spout orientations available**

Switch Range

A miniature, compact low pressure switch designed for direct fitting by solder pins to printed circuit boards. Both vacuum and pressure ports are provided, making the unit ideal for differential switching. Typical applications are indicators, emergency cut-out and alarms, filter and low pressure/vacuum monitoring. The switch is made to order for specific applications, the actual operating pressure or vacuum being set during production. However, finite adjustment may be made after installation using the slotted screw in the base.

Side entry cap reference positions

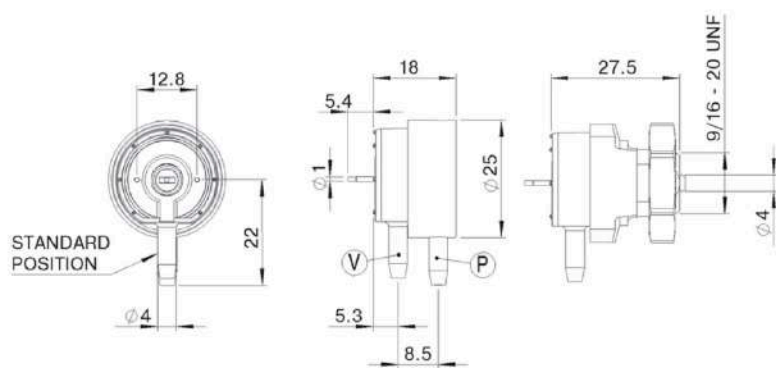




Specifications					
General					
Standards/approvals	UL 508 specific models only				
Degree of protection	n/a				
Connection method	Via back or side entry spouts, 2 or 4mm dia.				
Electrical rating	See table below				
Contact configuration	SPST N/O				
Pressure range	See table below				
Operating temperature range	-10°C to +85°C (flow solder 220°C for 5 sec.)				
Body material	Thermoplastic				
Weight	0,008 kg				
Additional information	Temperature compensated versions available upon request				
Options and Specifications					
Model	6761 Vacuum		6763 Pressure		
Pressure Range Min.	15 mbar		15 mbar		
Pressure Range Max.	670 mbar		1,000 mbar		
Maximale Hysteresis	0,15 mbar				
Body withstand pressure	2,040 mbar				
Flow rate litre/min (with temperature compensation)	8 – 30cc/min @ 77 mbar				
Pressure Connection	Back & side entry spout, 4mm dia. Back entry 2mm dia. only Lower spout 'V' vacuum & Upper spout 'P' pressure				
Connecting tube reference	2311-01 / 2311-08 to suit 4mm dia. spout 2311-03 to suit 2mm dia. spout				
Diaphragm	Silicone				
Mechanical life	1 x 10 ⁶ Cycles				
Feder	Spring steel				
Electrical data					
Contact configuration	SPST N/O			SPST N/O	
Contact plating		Silver	Gold	Silver	Gold
Contact rating	Min	10mA 24V DC	10mA 24V AC/DC	10mA 24V DC	10mA 24V AC/DC
	Max	0.5A 250V AC	50mA 250V AC	0.5A 250V AC	50mA 250V AC
UL Approved versions	Max	50mA 250V AC	10mA 24V AC/DC	50mA 250V AC	10mA 24V AC/DC



Dimensions





Ordering information

(Please use the characters in the chart below to create your product code)

Sample Code 6761 - Q S A E - U 0 0 1 - 50mbar

Model	6761	-	Q	S	A	E	-	U	0	0	1	-	50mbar
1 Vacuum Switch													
3 Pressure Switch													
Base Type													
O Side entry with 4 mm Ø spout (standard position)													
P Side entry with 4 mm Ø spout (90° orientation from standard position)													
Q Side entry with 4 mm Ø spout (180° orientation from standard position)													
R Side entry with 4 mm Ø spout (270° orientation from standard position)													
C Back entry with 4 mm spout													
E Back entry with 4 mm spout, long thread													
K Back entry with 2 mm spout long thread													
H Back entry with 4 mm spout, long thread (90° orientation from standard)													
Contact Material and Switch Rating													
A Silver contacts rated 0.5A 250V AC (No UL approval)													
B Gold contacts rated 50 mA 250 V AC/DC (No UL approval)													
S Silver contacts rated 50 mA 240V AC (UL approved)													
G Gold contacts rated 10 mA 24V AC/DC													
Bleed													
F Bleed fitted													
Blank No Bleed fitted													

