

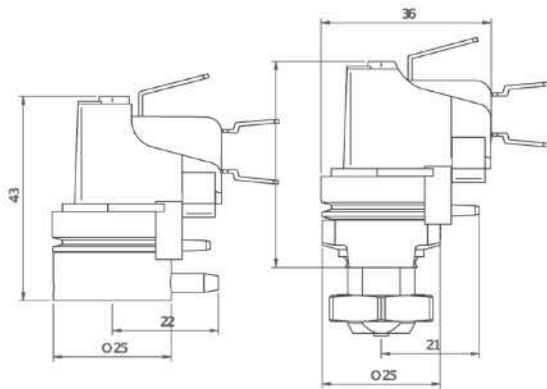


- ▶ **Double insulated for conductive media**
- ▶ **Multiple cap and spout options available**
- ▶ **Gold contacts available**
- ▶ **Other pressures available up to 690 mbar**
- ▶ **Temperature compensation options available**

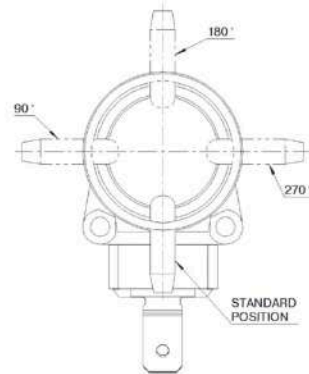
Specifications	
Standards/approvals	EN 60335-2-60
Degree of protection	N/A
Connection method	Via back or side entry spouts, 4 mm Ø or 2 mm Ø
Electrical rating	See table below
Contact configuration	SPCO
Activation Point	20 mbar to 690 mbar
Operating temperature range	-5°C to +70°C
Body material	Thermoplastic
Weight	0.023 kg



Dimensions



SE Cap Positions





Ordering information

(Please use the characters in the chart below to create your product code)

Sample Code 6773 - A A A A - A A A A

<div style="background-color: #004a4a; color: white; padding: 2px; margin-bottom: 10px;">Aviation Pressure</div> <p>A 50 mbar +/- 50% (0.1A & 10A) 100 mbar +/- 50% (21A)</p> <hr/> <div style="background-color: #004a4a; color: white; padding: 2px; margin-bottom: 10px;">Electrical Connection</div> <p>A Side entry standard length spout, 4 mm Ø standard orientation</p> <hr/> <p>B Side entry standard length spout, 4 mm Ø rotated to 90°</p> <hr/> <p>C Side entry standard length spout, 4 mm Ø rotated to 180°</p> <hr/> <p>D Side entry standard length spout, 4 mm Ø rotated to 270°</p> <hr/> <p>E Side entry long spout, 4 mm Ø standard orientation</p> <hr/> <p>F Side entry long spout, 4 mm Ø rotated to 90°</p> <hr/> <p>G Side entry long spout, 4 mm Ø rotated to 180°</p> <hr/> <p>H Back entry short thread / spout, 4 mm Ø not suitable for O ring</p> <hr/> <p>J Back entry long thread / spout, 4 mm Ø</p> <hr/> <p>K Back entry long thread / spout, 2 mm Ø</p> <hr/> <p>L Back entry long thread / spout, 4 mm Ø rotated to 90°</p> <hr/> <div style="background-color: #004a4a; color: white; padding: 2px; margin-bottom: 10px;">Temperature Compensation Options</div> <p>A Without</p> <hr/> <p>B With</p> <hr/> <div style="background-color: #004a4a; color: white; padding: 2px; margin-bottom: 10px;">Nut Specifications</div> <p>A Black moulded nut</p> <hr/> <p>B Black moulded nut and O ring (only available with cap options J, K & L above)</p> <hr/> <p>Z No nut required</p>	<div style="background-color: #004a4a; color: white; padding: 2px; margin-bottom: 10px;">Microswitch Rating</div> <p>A 0.1A 125 / 250V AC, Gold contacts (not available with option C from section above)</p> <hr/> <p>B 10A 125 / 250V AC 1/4 HP, Silver contacts</p> <hr/> <p>C 21A 250V AC 2 HP, 125 V AC 1 HP, Silver contacts</p> <hr/> <div style="background-color: #004a4a; color: white; padding: 2px; margin-bottom: 10px;">Terminal Combinations</div> <p>A 3 tag QC 6.3 x 0.8 mm, SPCO</p> <hr/> <p>C 3 tag QC 6.3 x 0.9 mm 90° crank, SPCO (Option C under Microswitch rating must be selected: 21A only)</p> <hr/> <div style="background-color: #004a4a; color: white; padding: 2px; margin-bottom: 10px;">Tag Configuration</div> <p>A European</p>
--	--

If you require a customized solution for your program contact our sales team.