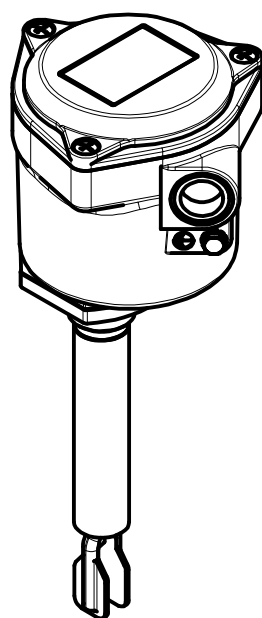


Fork orientation symbol: For lateral installations, the orientation of the fork tines must follow the direction of ascent or descent of the material to ensure correct detection.

~ 15 to 260 V (AC)
 --- 15 to 80 V (DC)

⊕	⊖	⊕	MAX. 5A / 250V	MAX. 5A / 250V				
L1	N	PE	NC	COM	NO	NC	COM	NO
1	2	3	4	5	6	7	8	9
POWER SUPPLY			SIGNAL 1			SIGNAL 2		

Screw terminals (flat head)
 0,05 - 2,5mm² (AWG30 - AWG12)

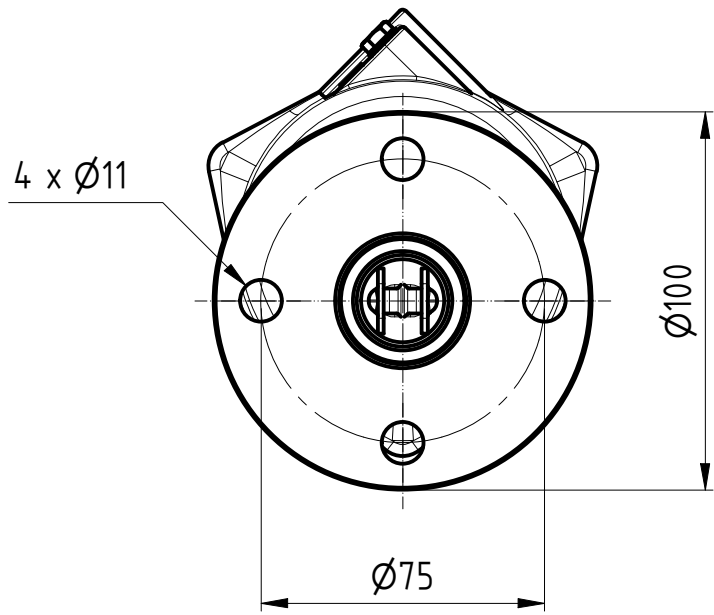


Model	GVL30
Weight	1,03 Kg
Power supply	Universal power supply 15 to 80 VDC & 15 to 260 VAC
Signal	DPDT
Casing protection rating	IP65 (dustproof, protection against water jets)
Wetted parts protection rating	IP68 (dustproof, protected against the effect of continuous immersion in water)
Housing	Aluminium
Wetted parts	AISI316L
Connection	AISI316L
Ambient temperature	-20 < Ta < +70 [°C]
Process temperature	-20 < Tp < +70 [°C]
Pressure range	+0,8 ... +15 bar [abs]
Directives	2011/65/EU (RoHS) 2014/30/EU (EMC) 2014/35/EU (LVD)
ATEX Marking	II 3D Ex tc IIIB T85°C IP65 Dc
IECEx Marking	-

® CAMLogic Via Dell'Industria 12 42025 Cavriago (RE) - ITALY Web: www.camlogic.it		DRAWING NUMBER	
		0602_0042_00	
SCALE: 1 : 2	DESCRIPTION	DRAWN: Guidetti F.	15/01/2025
GENERAL TOL: ISO 2768-mH		GVL30	REV:
FILE: 0602_0042_00-00.idw	DRAWING FROM CAD SYSTEM - REFER TO 3D MODEL FOR MISSING DIMENSION - NO MANUAL MODIFICATION ALLOWED	UNLESS OTHERWISE SPECIFIED - DIMENSIONS ARE IN mm -	SHEET NO: 1 OF 3

**CONFIDENTIAL / PROPRIETARY
DO NOT DISTRIBUTE**

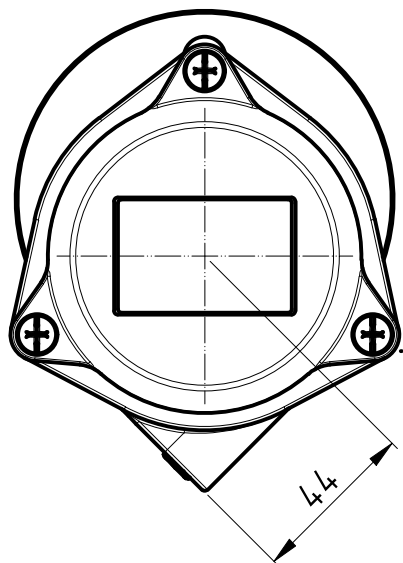
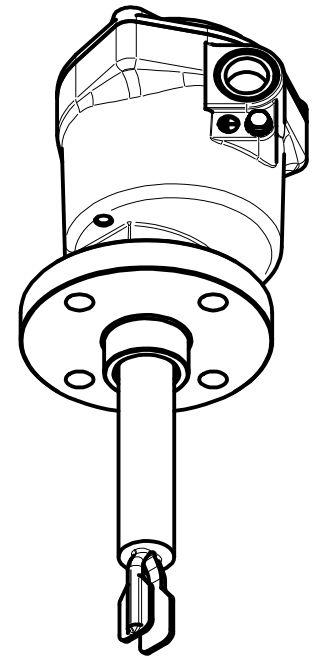
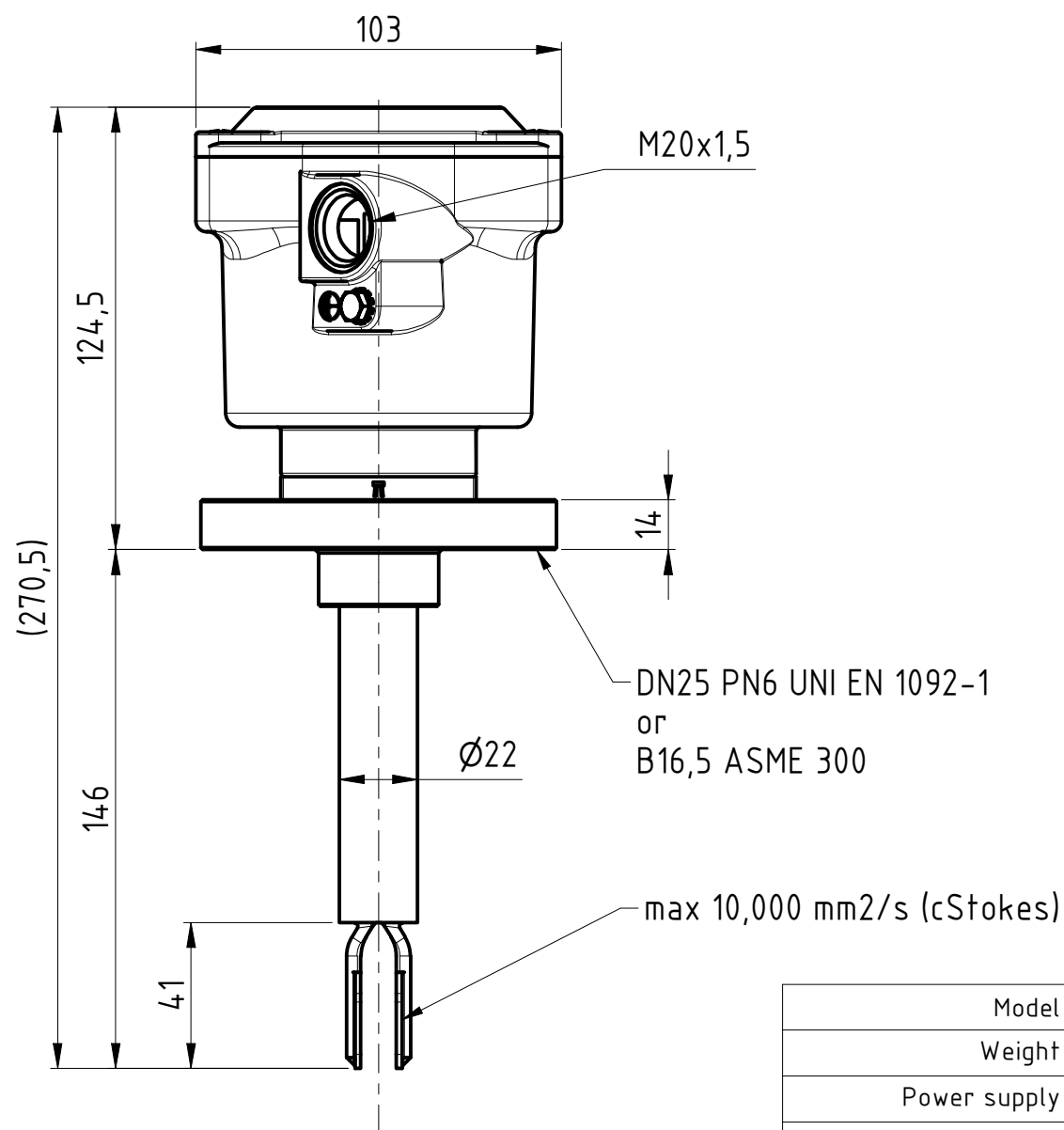
® CAMLogic
- ALL RIGHTS RESERVED -



~ 15 to 260 V (AC)
--- 15 to 80 V (DC)

MAX. 5A / 250V			MAX. 5A / 250V					
L1	N	PE	NC	COM	NO	NC	COM	NO
1	2	3	4	5	6	7	8	9
POWER SUPPLY			SIGNAL 1			SIGNAL 2		

Screw terminals (flat head)
0,05 - 2,5mm² (AWG30 - AWG12)



Model	GVL30
Weight	1,81 Kg
Power supply	Universal power supply 15 to 80 VDC & 15 to 260 VAC
Signal	DPDT
Casing protection rating	IP65 (dustproof, protection against water jets)
Wetted parts protection rating	IP68 (dustproof, protected against the effect of continuous immersion in water)
Housing	Aluminium
Connection	Flange AISI316L
Wetted parts	AISI316L
Ambient temperature	-20 < Ta < +70 [°C]
Process temperature	-20 < Tp < +70 [°C]
Pressure range	+0,8 ... +15 bar [abs]
Directives	2011/65/EU (RoHS) 2014/30/EU (EMC) 2014/35/EU (LVD)
ATEX Marking	II 3D Ex tc IIIB T85°C IP65 Dc
IECEX Marking	-

® CAMLogic
Via Dell'Industria 12
42025 Cavriago (RE) - ITALY
Web: www.camlogic.it

CAMLogic®

DRAWING NUMBER
0602_0042_00

DRAWN: Guidetti F. 15/01/2025

SCALE: 1 : 2

GENERAL TOL: ISO 2768-mH

FILE: 0602_0042_00-00.idw

DESCRIPTION
GVL30

DRAWING FROM CAD SYSTEM - REFER TO 3D MODEL FOR MISSING DIMENSION - NO MANUAL MODIFICATION ALLOWED

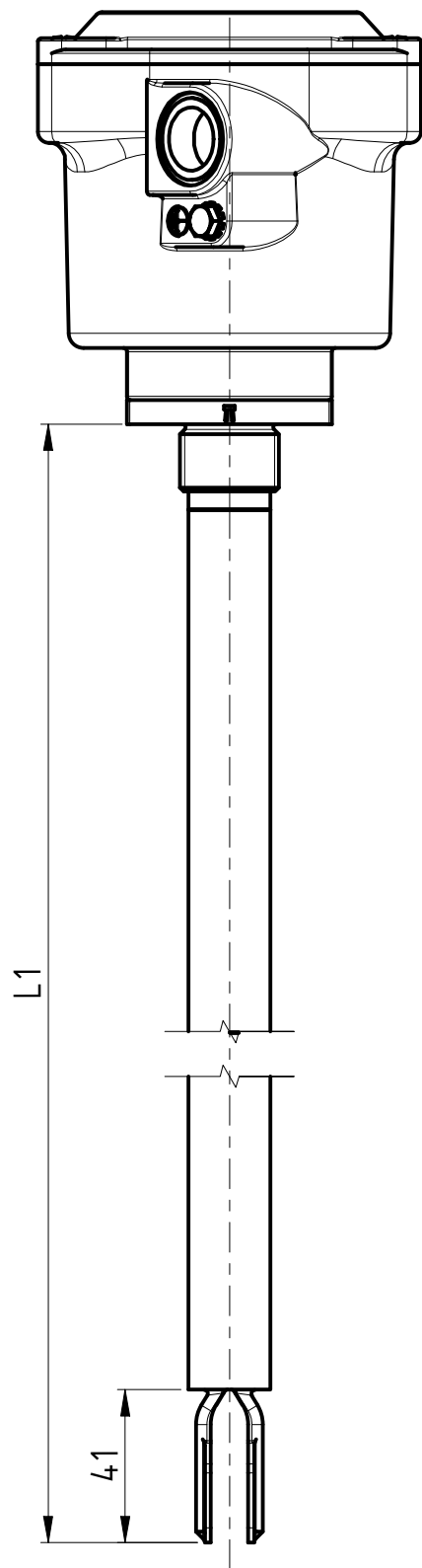
UNLESS OTHERWISE SPECIFIED
- DIMENSIONS ARE IN mm -

SHEET NO: 2 OF 3

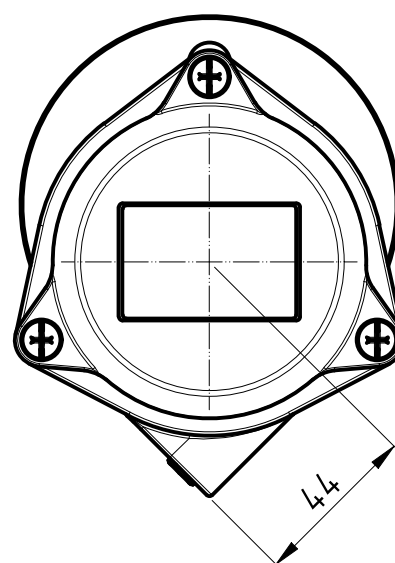
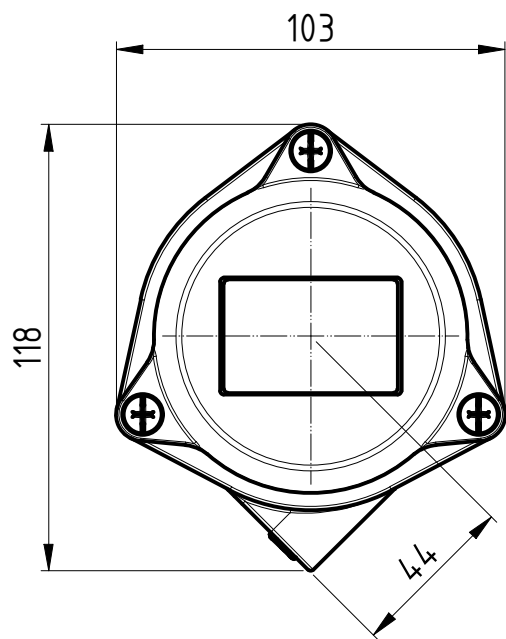
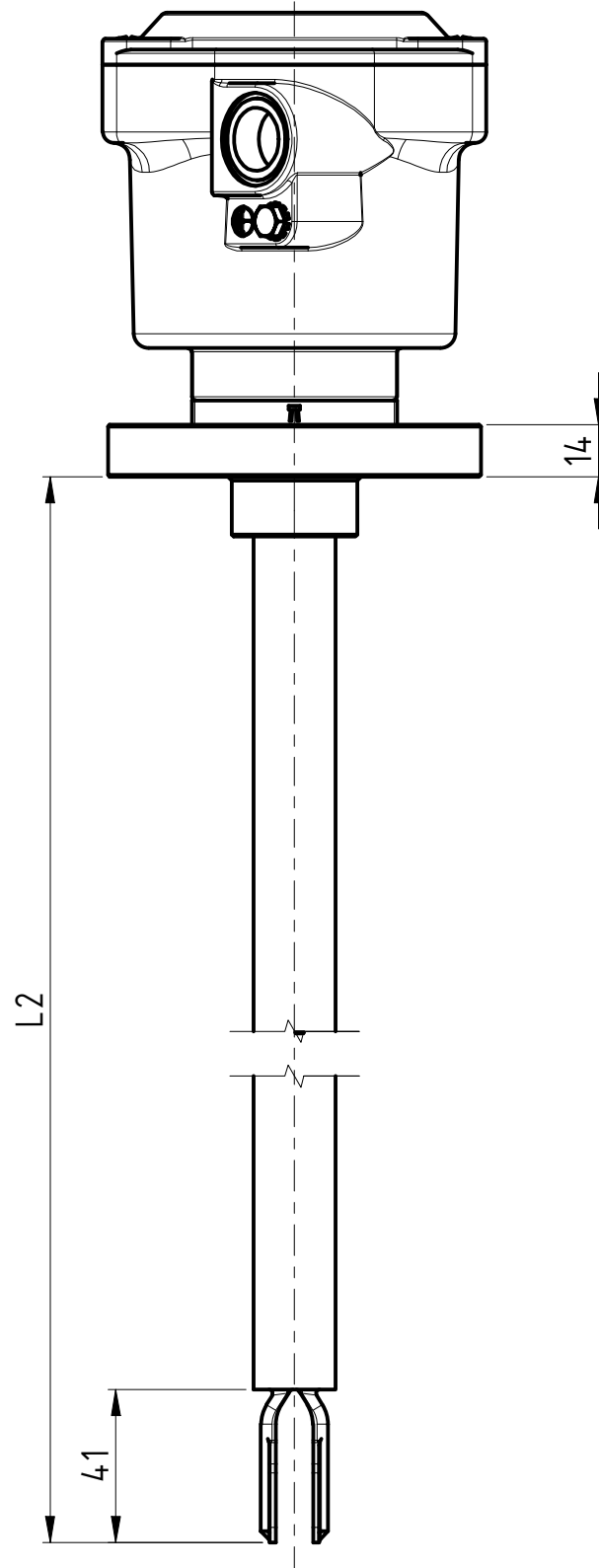
SIZE UNI A3

L1 (mm)	L2 (mm)
500	486
1000	986
1500	1486
2000	1986
3000	2986

Extension without flange



Extension with flange



**CONFIDENTIAL / PROPRIETARY
DO NOT DISTRIBUTE**

© CAMLogic
- ALL RIGHTS RESERVED -

© **CAMLogic**
Via Dell'Industria 12
42025 Cavriago (RE) - ITALY
Web: www.camlogic.it

CAMLogic®

DRAWING NUMBER
0602_0042_00

DRAWN: Salati A. 07/01/2025

SCALE: 1 : 2

GENERAL TOL: ISO 2768-mH

FILE: GR17_0002_00-00.iam

DESCRIPTION
GVL30

DRAWING FROM CAD SYSTEM - REFER TO 3D MODEL FOR MISSING DIMENSION - NO MANUAL MODIFICATION ALLOWED

REV:
SHEET: 3

UNLESS OTHERWISE SPECIFIED - DIMENSIONS ARE IN mm - SHEET NO: 3 OF 3